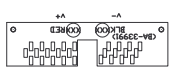
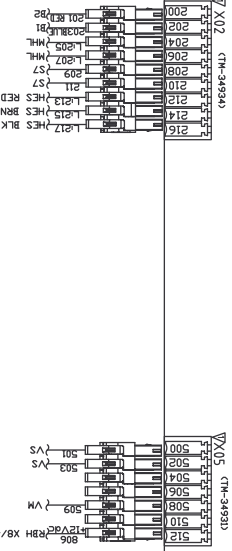
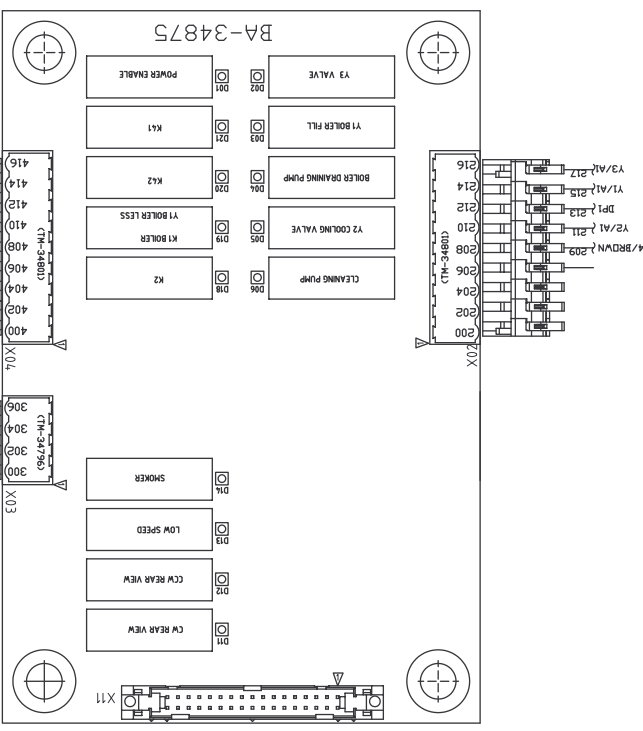
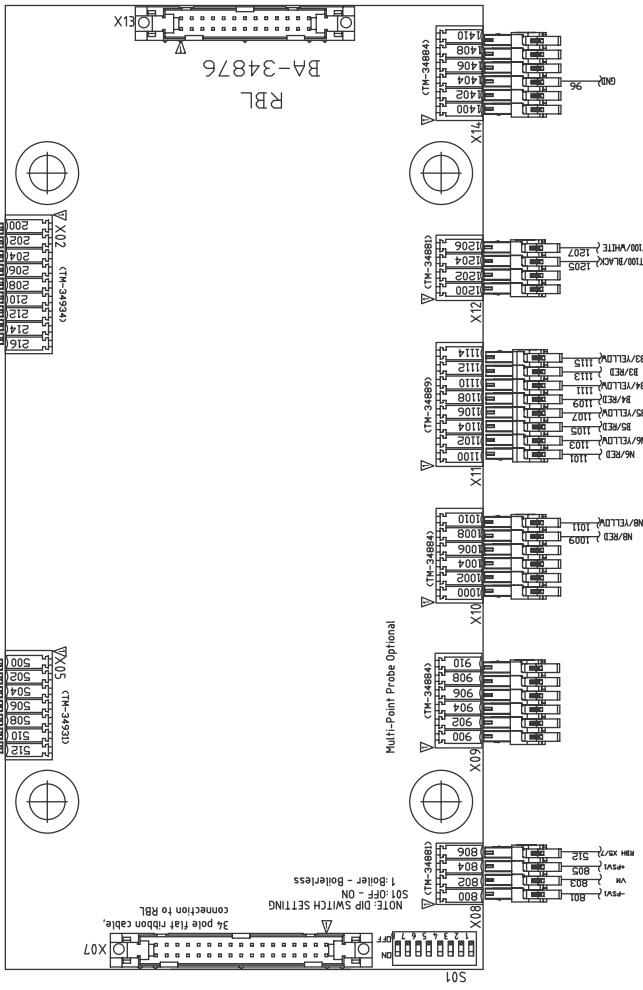
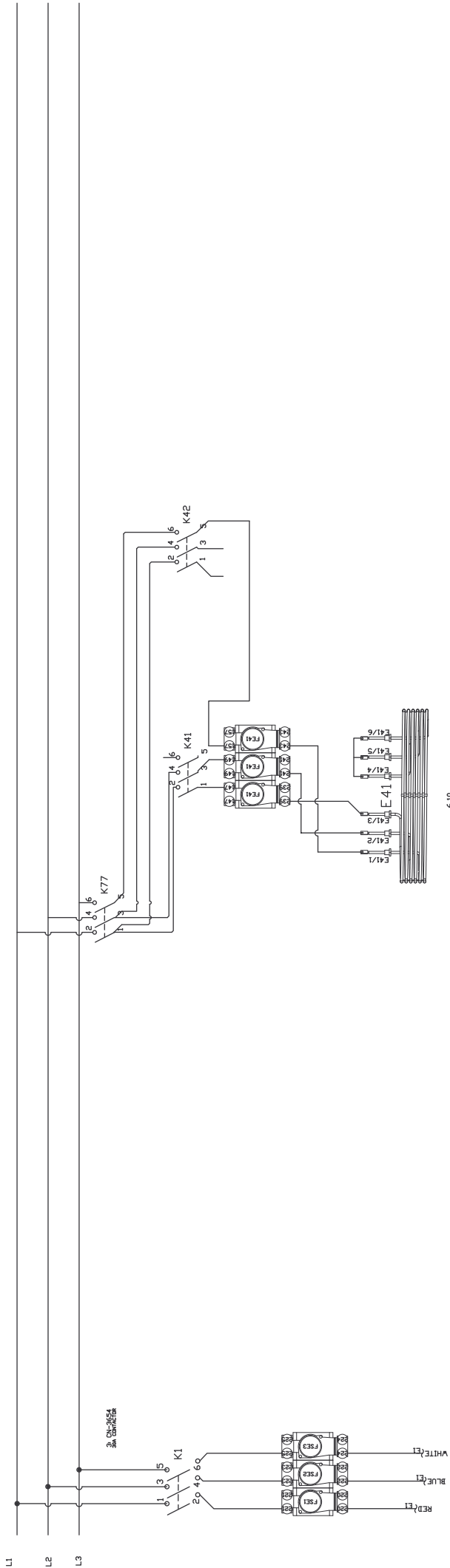
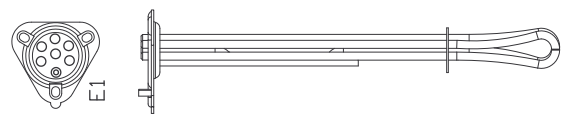


Connectors:
 X04, Display Data
 X05, Display Backlight
 X06, Touch Screen (on pcb backside)
 X07, Audio
 X08, COM (RS485, HACCp)
 X09, GPIO, to RBL Board
 X10, Power
 X11, ON/OFF
 X12, USB 1
 X12, USB 2
 X13, LAN
 X15, CF Card Connector
 X16, LAN
 X17, LAN
 X18, LAN
 X19, Power
 X20, Power
 X21, Power
 X22, Power
 X23, Power
 X24, Power
 X25, Power
 X26, Power
 X27, Power
 X28, Power
 X29, Power
 X30, Power
 X31, Power
 X32, Power
 X33, Power
 X34, Power
 X35, Power
 X36, Power
 X37, Power
 X38, Power
 X39, Power
 X40, Power
 X41, Power
 X42, Power
 X43, Power
 X44, Power
 X45, Power
 X46, Power
 X47, Power
 X48, Power
 X49, Power
 X50, Power
 X51, Power
 X52, Power
 X53, Power
 X54, Power
 X55, Power
 X56, Power
 X57, Power
 X58, Power
 X59, Power
 X60, Power
 X61, Power
 X62, Power
 X63, Power
 X64, Power
 X65, Power
 X66, Power
 X67, Power
 X68, Power
 X69, Power
 X70, Power
 X71, Power
 X72, Power
 X73, Power
 X74, Power
 X75, Power
 X76, Power
 X77, Power
 X78, Power
 X79, Power
 X80, Power
 X81, Power
 X82, Power
 X83, Power
 X84, Power
 X85, Power
 X86, Power
 X87, Power
 X88, Power
 X89, Power
 X90, Power
 X91, Power
 X92, Power
 X93, Power
 X94, Power
 X95, Power
 X96, Power
 X97, Power
 X98, Power
 X99, Power
 X100, Power





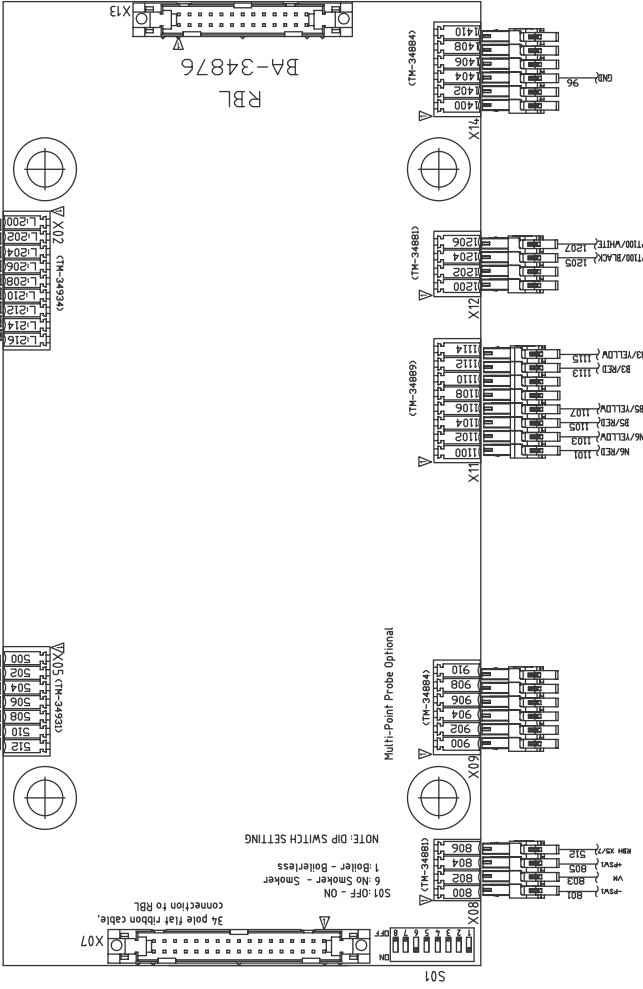
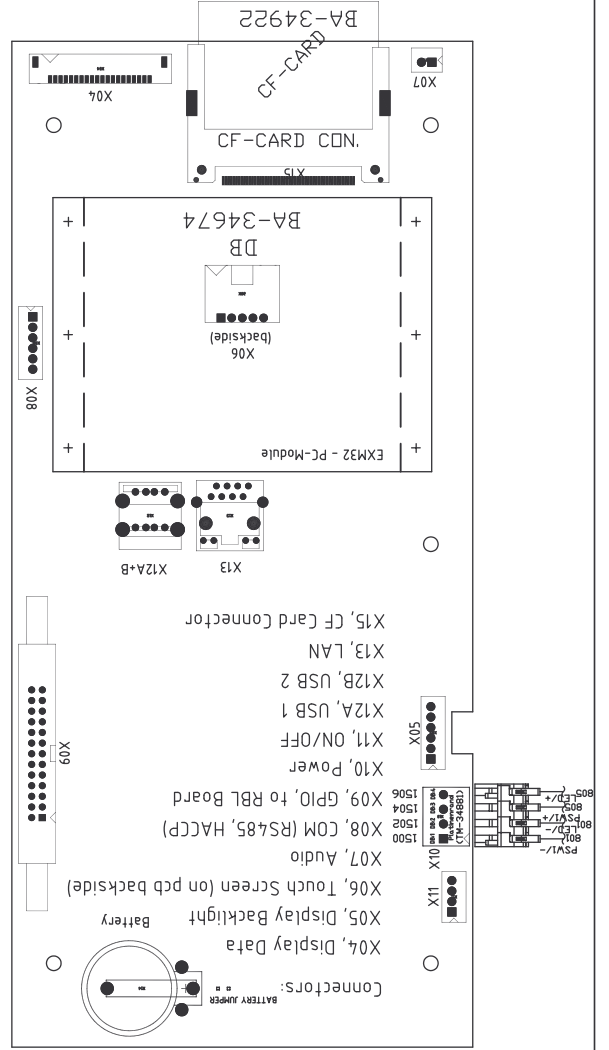
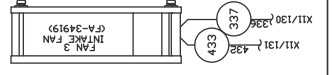
A00901-A0H2
 A00018-8000V
 208V-8000V
 (CEL)
 6.10



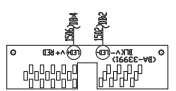
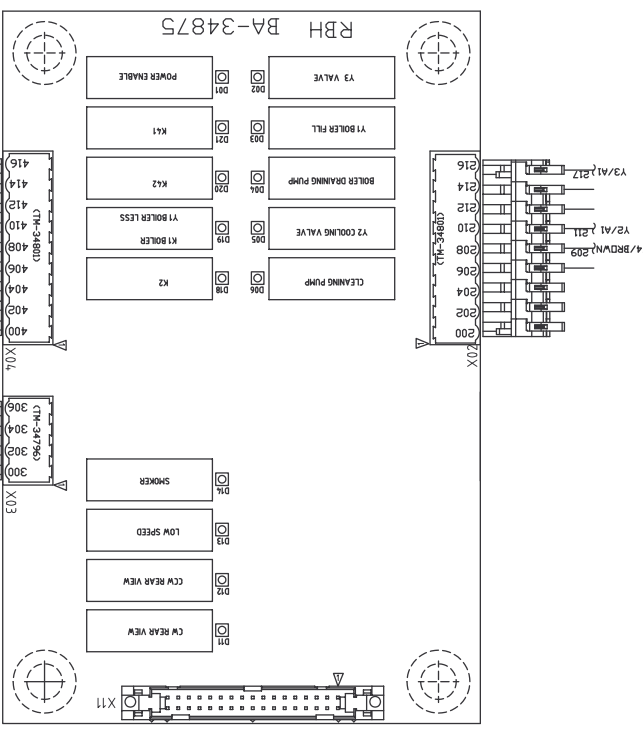
EL-39411
 208V 7500W
 240V 1000W

REV	NO	DESCRIPTION	DATE
01	01	INITIAL DESIGN	11/20/02
02	02	REVISION	
03	03	REVISION	
04	04	REVISION	
05	05	REVISION	
06	06	REVISION	
07	07	REVISION	
08	08	REVISION	
09	09	REVISION	
10	10	REVISION	
11	11	REVISION	
12	12	REVISION	
13	13	REVISION	
14	14	REVISION	
15	15	REVISION	
16	16	REVISION	
17	17	REVISION	
18	18	REVISION	
19	19	REVISION	
20	20	REVISION	
21	21	REVISION	
22	22	REVISION	
23	23	REVISION	
24	24	REVISION	
25	25	REVISION	
26	26	REVISION	
27	27	REVISION	
28	28	REVISION	
29	29	REVISION	
30	30	REVISION	
31	31	REVISION	
32	32	REVISION	
33	33	REVISION	
34	34	REVISION	
35	35	REVISION	
36	36	REVISION	
37	37	REVISION	
38	38	REVISION	
39	39	REVISION	
40	40	REVISION	
41	41	REVISION	
42	42	REVISION	
43	43	REVISION	
44	44	REVISION	
45	45	REVISION	
46	46	REVISION	
47	47	REVISION	
48	48	REVISION	
49	49	REVISION	
50	50	REVISION	
51	51	REVISION	
52	52	REVISION	
53	53	REVISION	
54	54	REVISION	
55	55	REVISION	
56	56	REVISION	
57	57	REVISION	
58	58	REVISION	
59	59	REVISION	
60	60	REVISION	
61	61	REVISION	
62	62	REVISION	
63	63	REVISION	
64	64	REVISION	
65	65	REVISION	
66	66	REVISION	
67	67	REVISION	
68	68	REVISION	
69	69	REVISION	
70	70	REVISION	
71	71	REVISION	
72	72	REVISION	
73	73	REVISION	
74	74	REVISION	
75	75	REVISION	
76	76	REVISION	
77	77	REVISION	
78	78	REVISION	
79	79	REVISION	
80	80	REVISION	
81	81	REVISION	
82	82	REVISION	
83	83	REVISION	
84	84	REVISION	
85	85	REVISION	
86	86	REVISION	
87	87	REVISION	
88	88	REVISION	
89	89	REVISION	
90	90	REVISION	
91	91	REVISION	
92	92	REVISION	
93	93	REVISION	
94	94	REVISION	
95	95	REVISION	
96	96	REVISION	
97	97	REVISION	
98	98	REVISION	
99	99	REVISION	
100	100	REVISION	

ALTO-SHIMM
 4815 38-857 8H 1001
 NO. 77386
 DATE 11/20/02



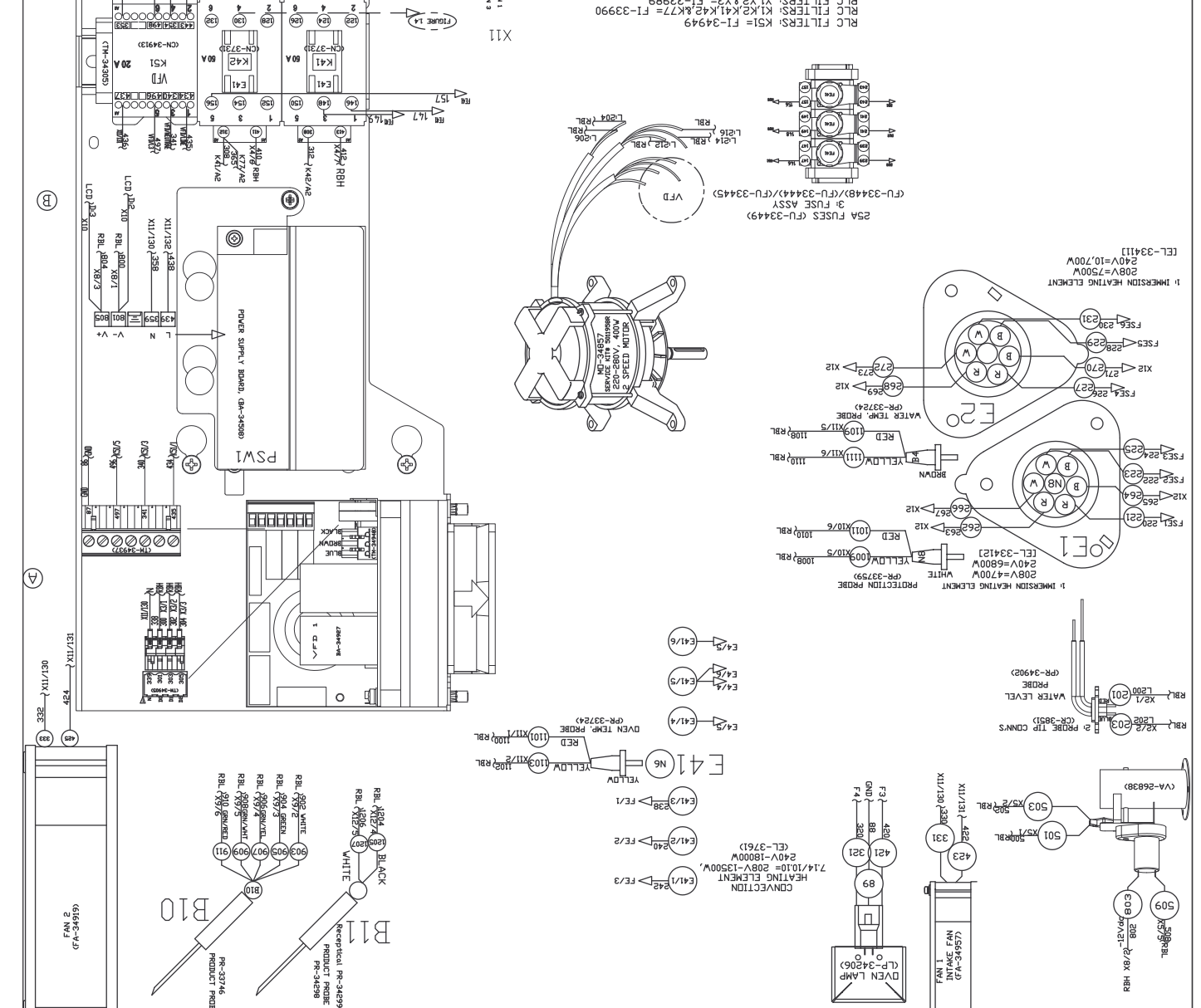
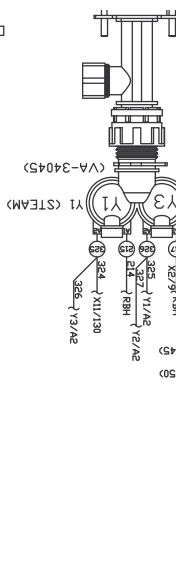
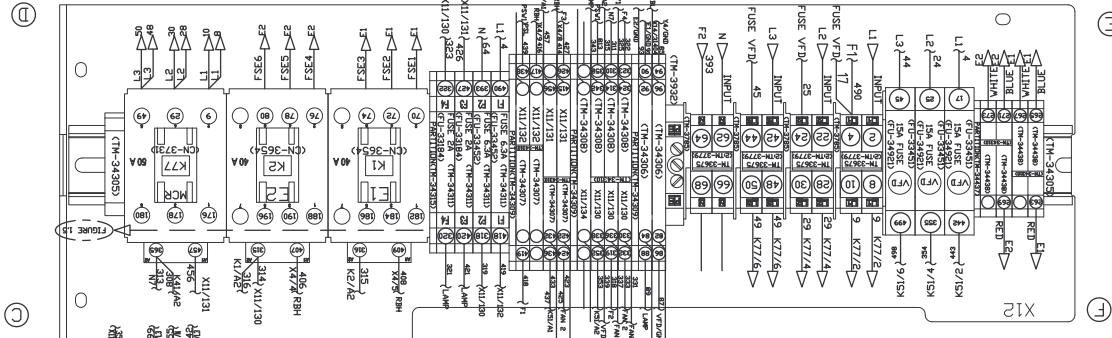
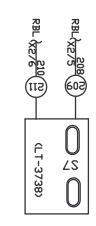
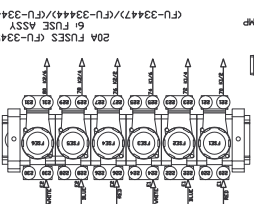
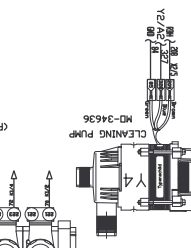
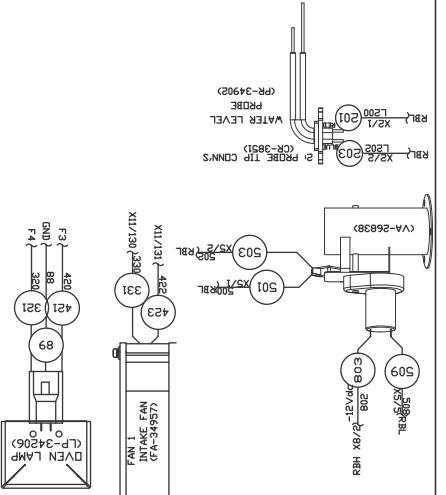
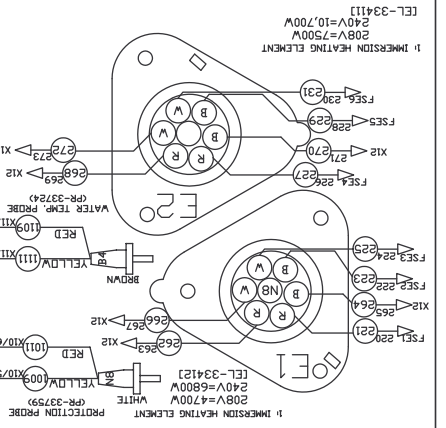
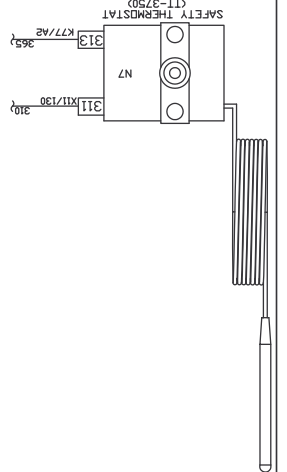
RBH&RBL: BA-34670

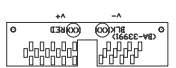
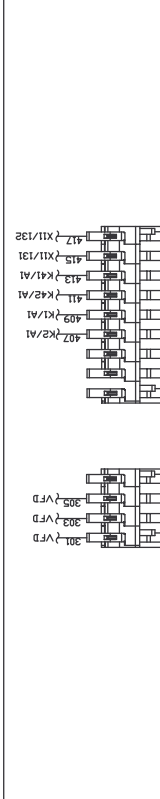
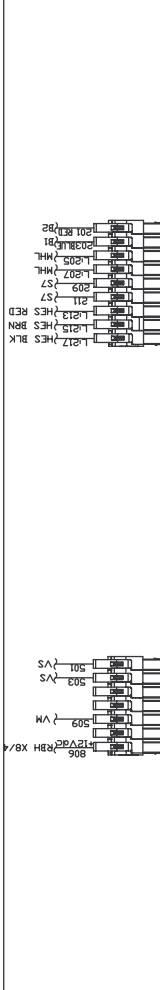
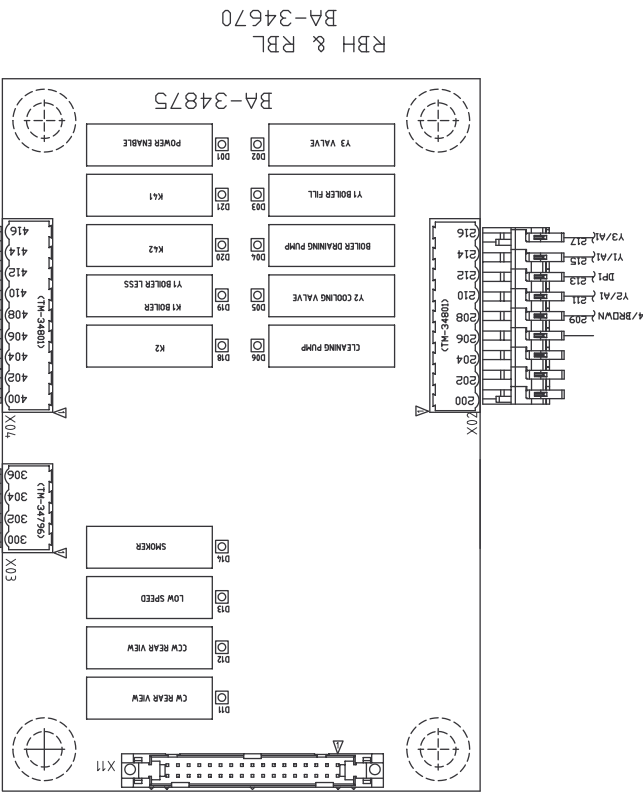
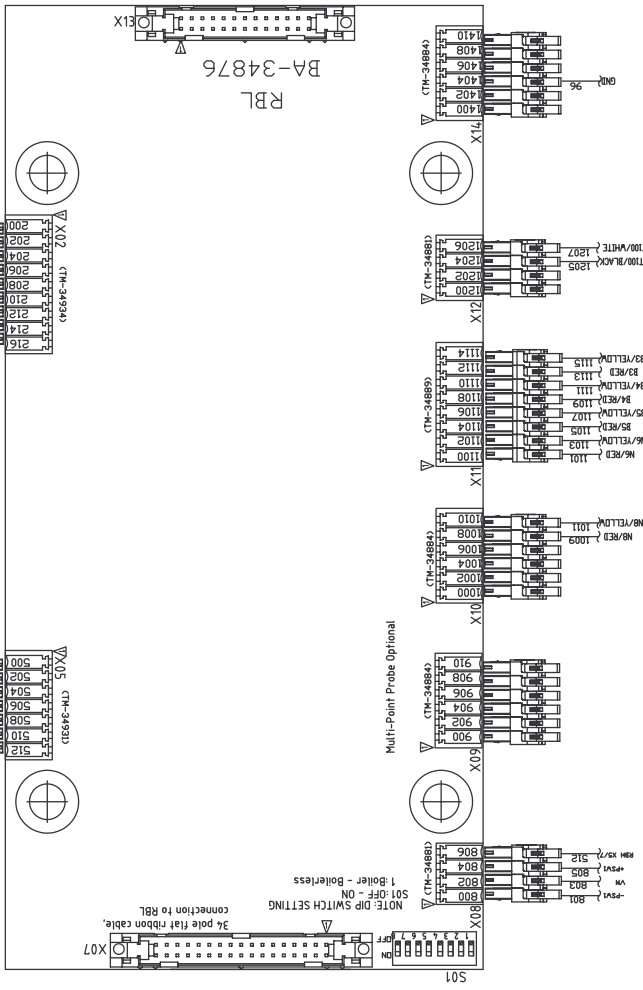
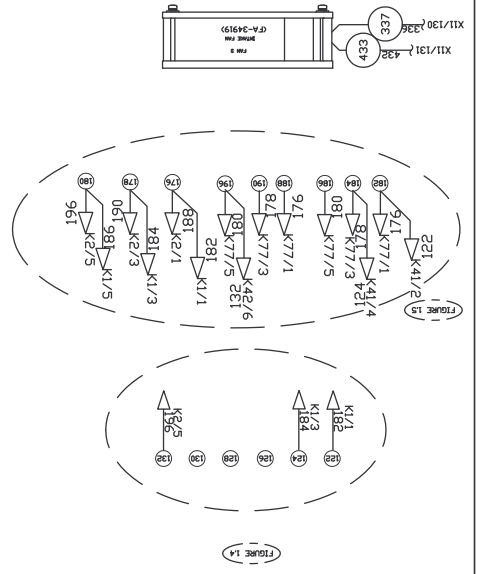
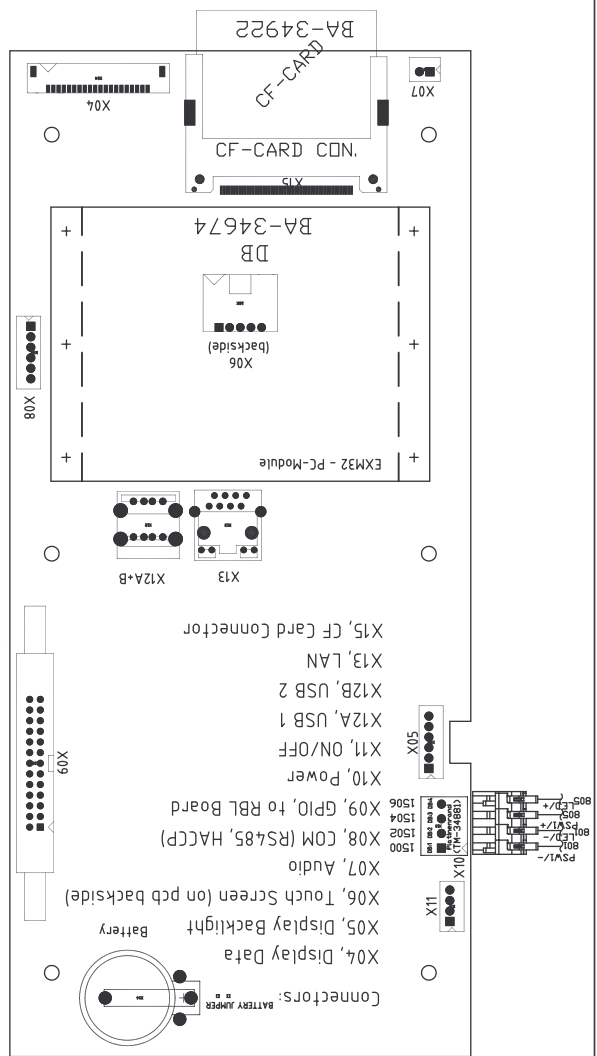


REV	77330	DATE	06/22/98
BY	JAC	DRW	WGS
CHKD	WGS	APP	WGS
DESIGN			
DATE			
REVISION			
NO.			
DESCRIPTION			
DATE			
BY			
CHKD			
APP			
DESIGN			
DATE			
NO.			
DESCRIPTION			

DESIGN	WGS
DATE	11/18/95
NO.	77330
DESCRIPTION	REF. CUT SHEET
REV	22-1-22
DESCRIPTION	380-415V
DATE	14-5-190V
NO.	26.6 V
DESCRIPTION	19000 V
DATE	415 V
NO.	14500 V
DESCRIPTION	26.6 V
DATE	14500 V
NO.	22.1A
DESCRIPTION	WATTS
DATE	7.14/10.10
NO.	AMPS

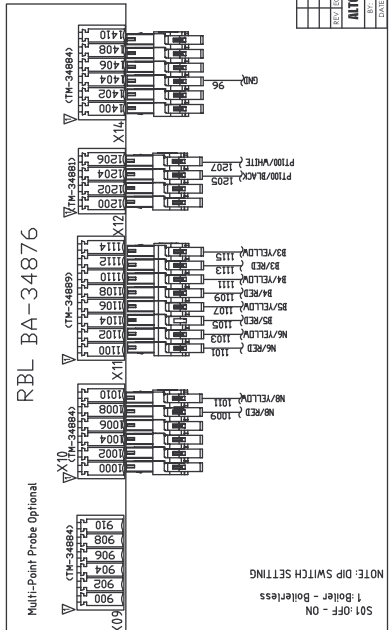
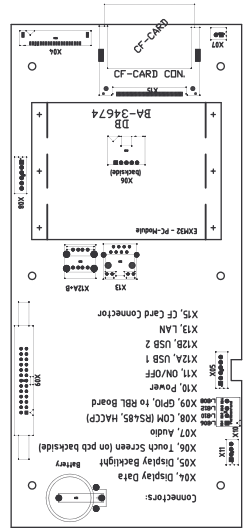
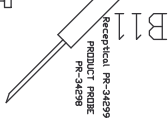
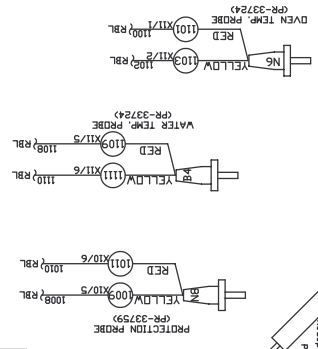
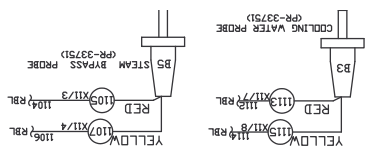
REFERENCE CUT SHEET
5011792



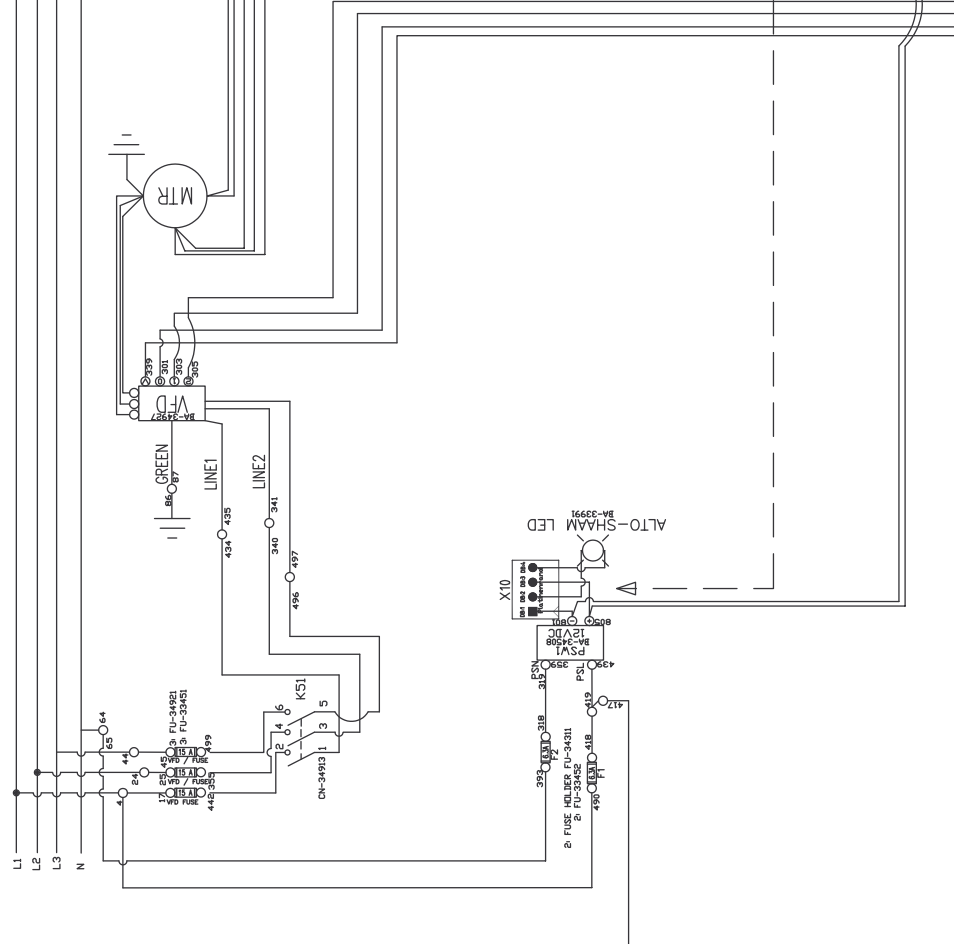
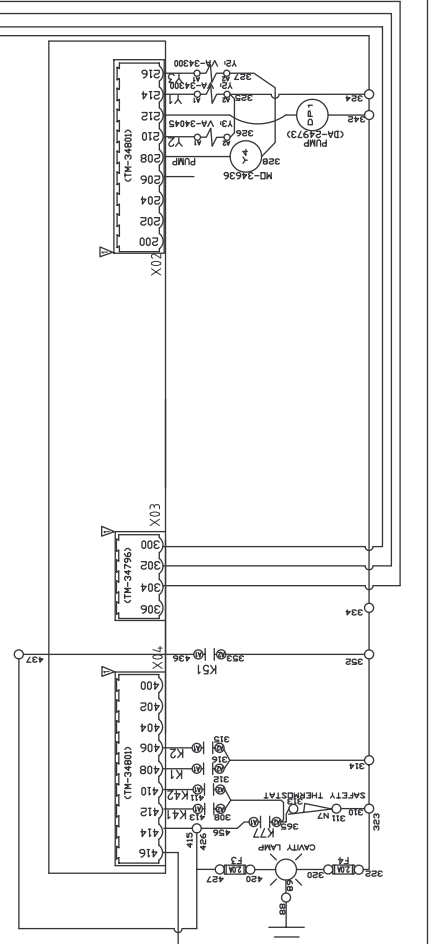
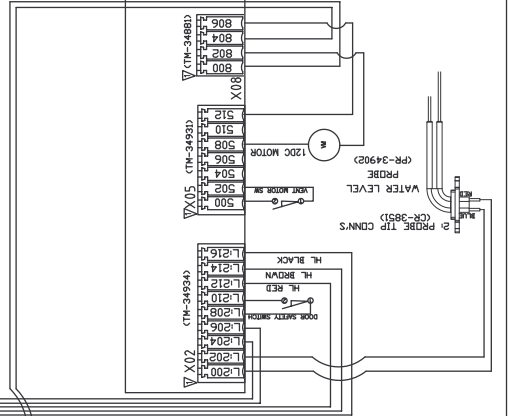


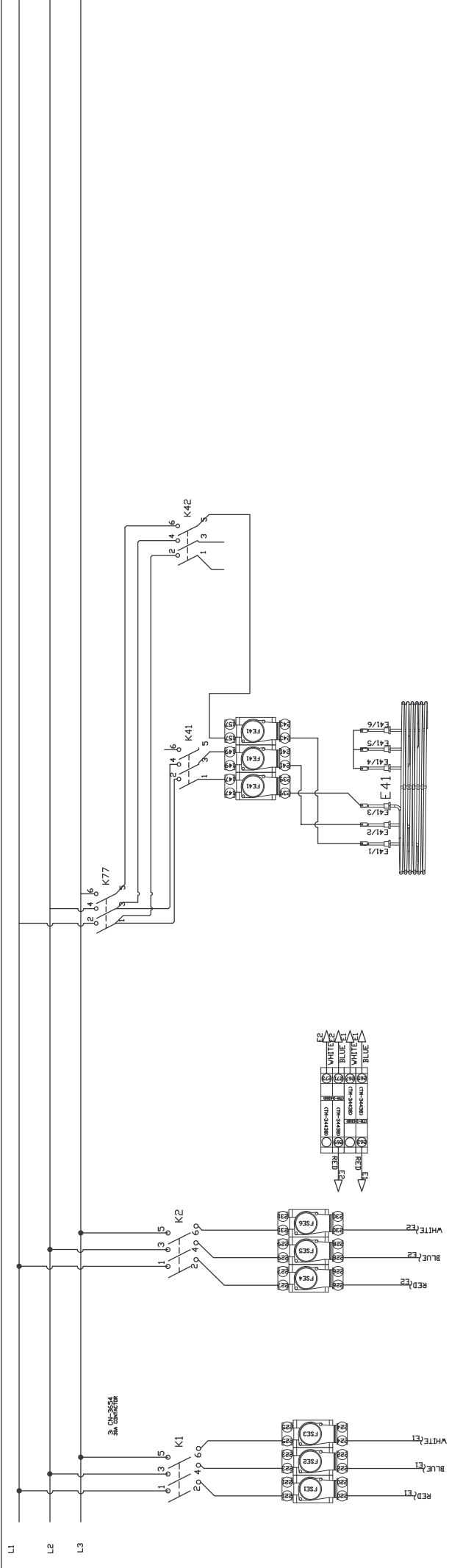
PW: 12Vdc POWER SUPPLY
 S2: DOOR SWITCH LIMIT
 N1: SAFETY HIGH LIMIT
 K1 & K2: CONTROL CONVECTION
 DP1: BOILER DRAIN PUMP
 E1: E2: E3: HE2 ELEMENT
 E4: CONVECTION ELEMENT
 SMK RLY: SMOKER RELAY
 SMK EL: SMOKER ELEMENT
 K51 & K71: MOTOR DRIVE CONTACTOR

X11/130: BANK OF 3 BLUE SPRING TERMINALS
 B1: BLUE UPPER WATER LEVEL STEAM TANK
 B2: RED LOWER WATER LEVEL STEAM TANK
 B3: BLUE PROBE CONDENSATION TANK
 B5: RED PROBE CONDENSATION TANK
 RLC FILTERS: K1,K2,K3,K4,K1,K42,K77= FI-33990
 RLC FILTERS: K51,K71= FI-34949
 RLC FILTERS: K1,K2,K3,K4,K1,K42,K77= FI-33990
 V5: VENT SWITCH
 FUSE VFD: FUSE CONTROL SMOKER
 FUSE SMK: FUSE CONTROL SMOKER
 FUSE VFD: FUSE CONTROL SMOKER
 DB1: DB2: DISPLAY BOARD + DC INPUT
 DB3: DB4: DISPLAY BOARD + DC INPUT



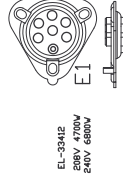
NOTE: DIP SWITCH SETTING
 1: OFF - ON
 2: OFF - Boilless





7.14/10.10

7.14/10.10
 G. V. 101.0
 200A/7500W
 240V 1800W



E1-33412
 200V 4700W
 240V 6800W

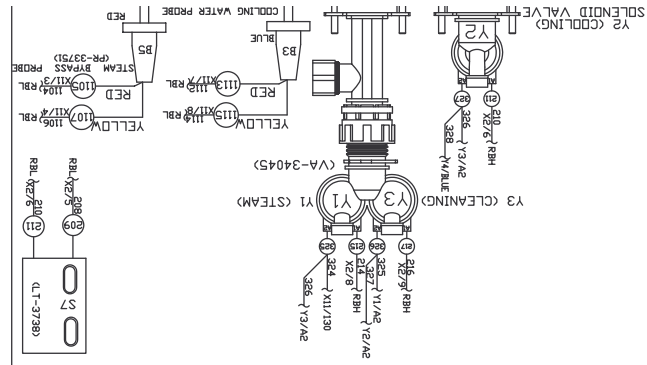
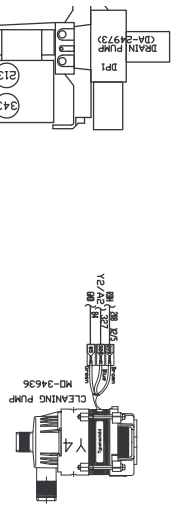


E2-33411
 200V 7500W
 240V 10700W

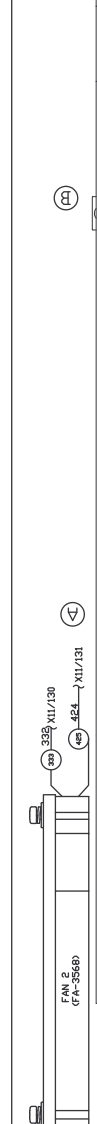
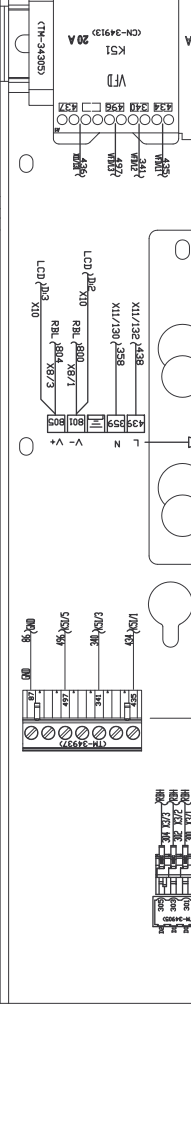
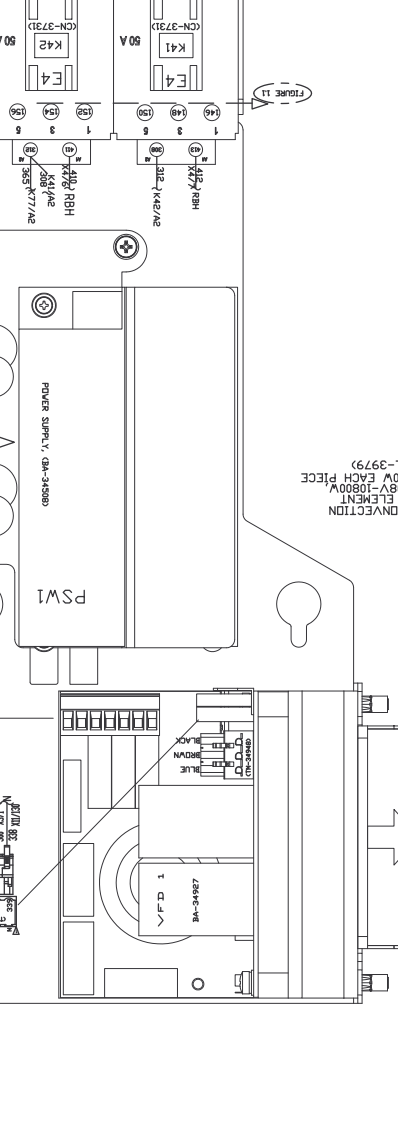
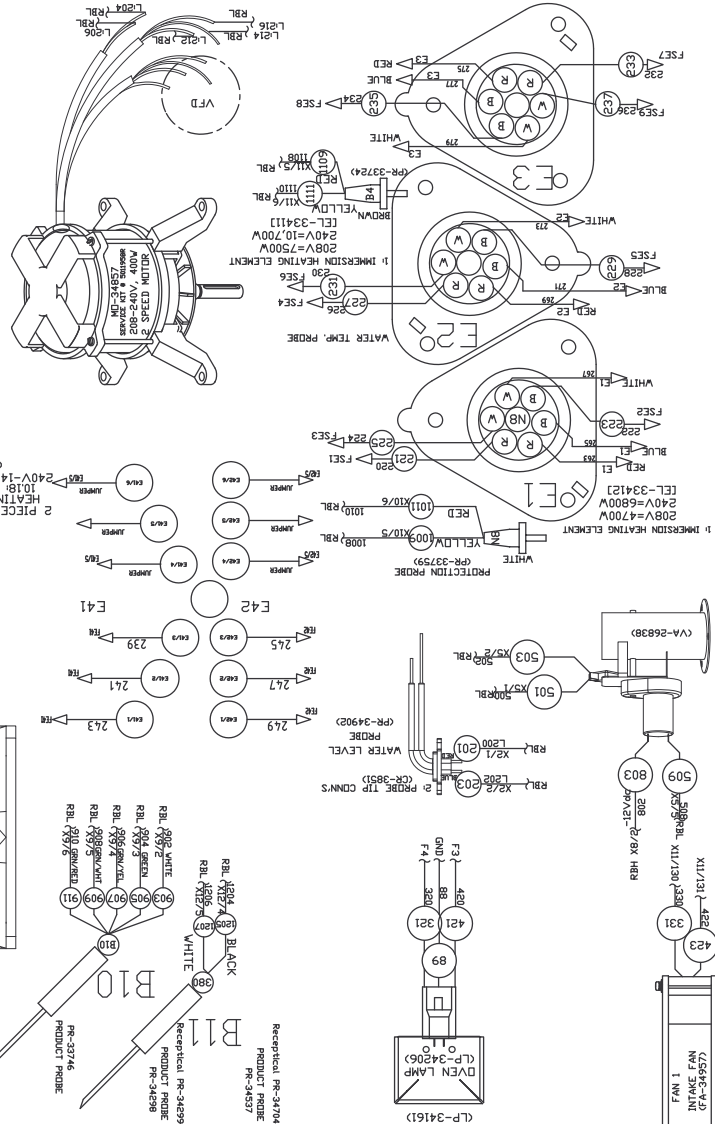
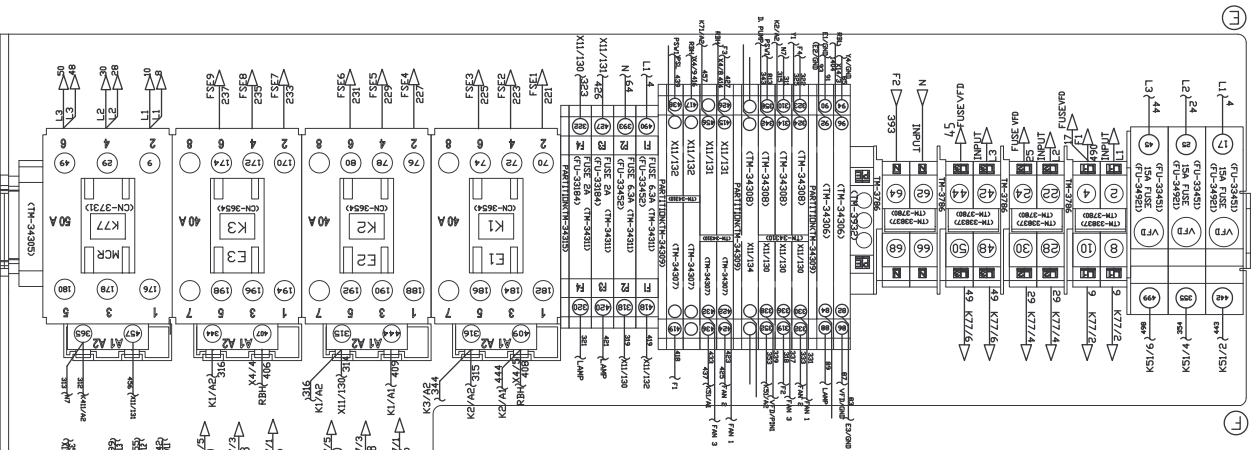
	REV. NO.	REV. DATE	REV. BY	REV. DATE
	01	01/10/10		
ALTO-SHIMM 77330 DATE: 06/27/10 1.5P				

UNIT	77348	
MODEL	77348	
DESIGN	335-540.7A	
REV.		
DATE	8-20-89	
BY	KS	
CHECKED	LS	
APPROVED	MS	
PROJECT	335-540.7A	
DRAWING NO.	77348	
WIRING DIAGRAM	407-A	
PROJECT NO.	333-A	
REVISIONS		
NO.	DATE	DESCRIPTION
1	8-20-89	ISSUED FOR FABRICATION
2	9-11-89	REVISED TO ADD SERVICE WATER PROBE
3	11-15-89	REVISED TO ADD SERVICE WATER PROBE
4	1-16-90	REVISED TO ADD SERVICE WATER PROBE
5	1-16-90	REVISED TO ADD SERVICE WATER PROBE

REFERENCE CUT SHEET
501818



R/C FILTERS: Y1, Y2 & Y3 = F1-33989
R/C FILTERS: K1, K2, K3, K4, K5 & K7 = F1-33990
R/C FILTERS: K5 = F1-34949



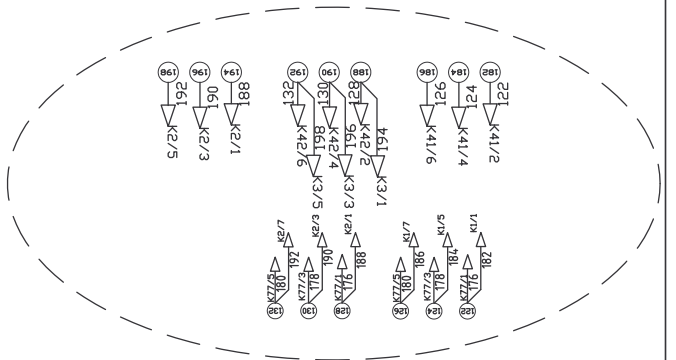
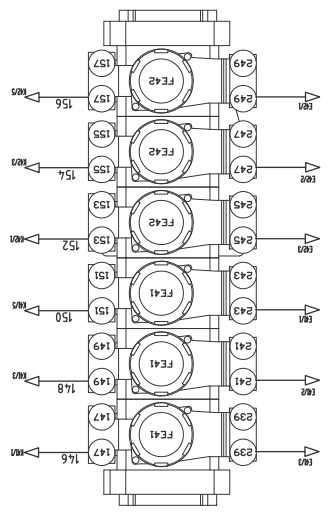
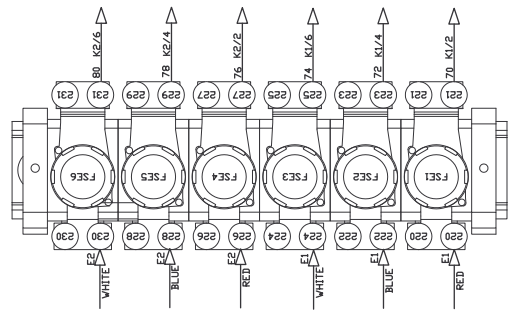
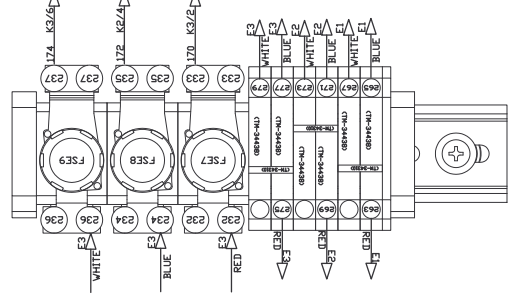


FIGURE 12

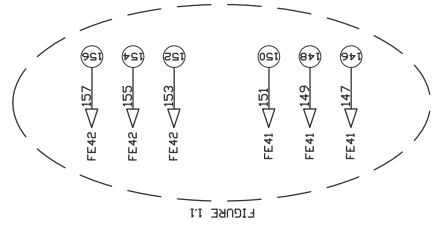
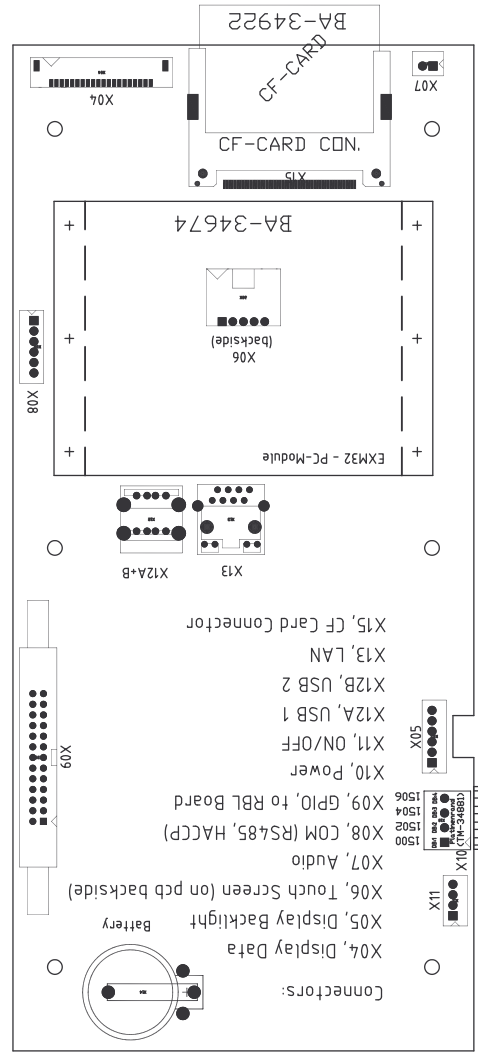
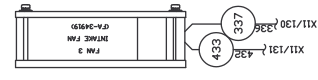
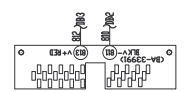
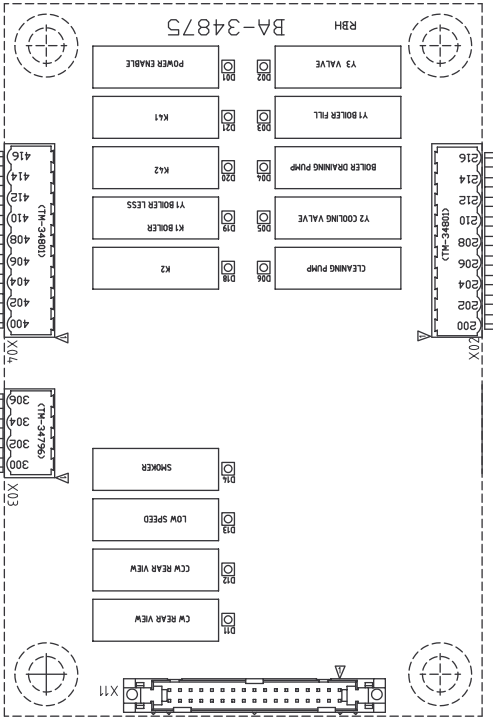
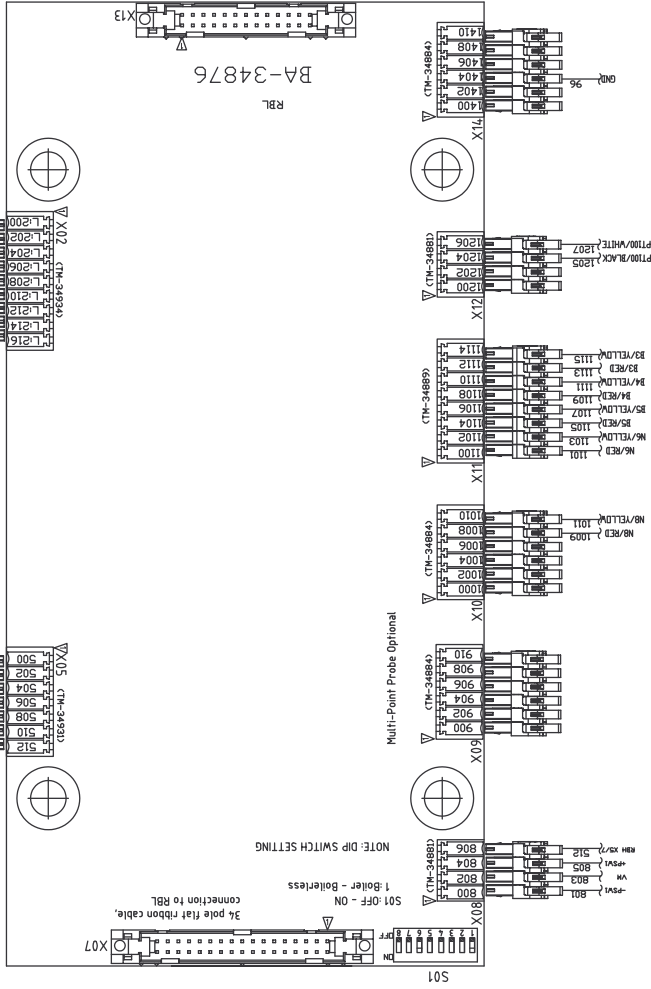
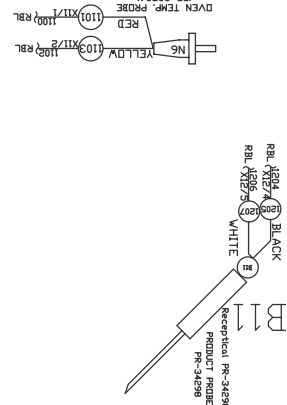
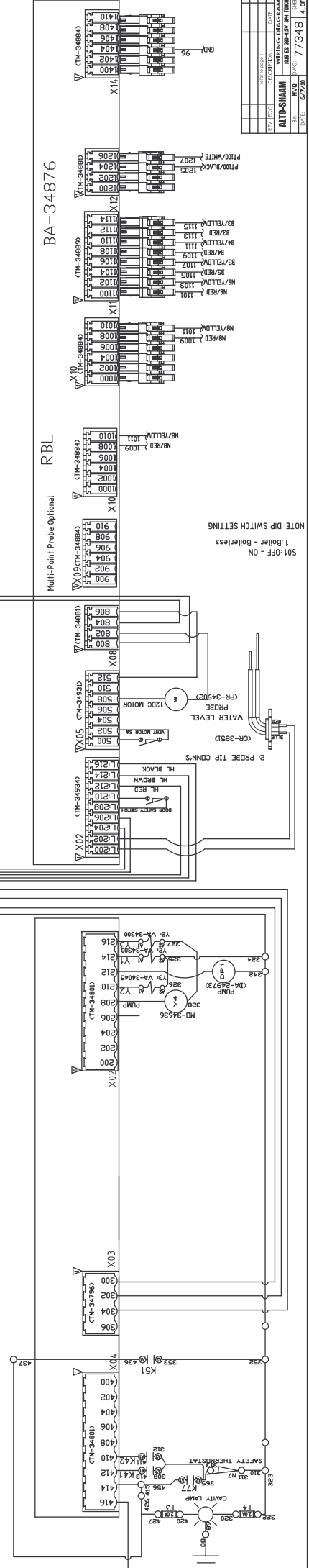


FIGURE 11



RBL&RBH: BA-34770

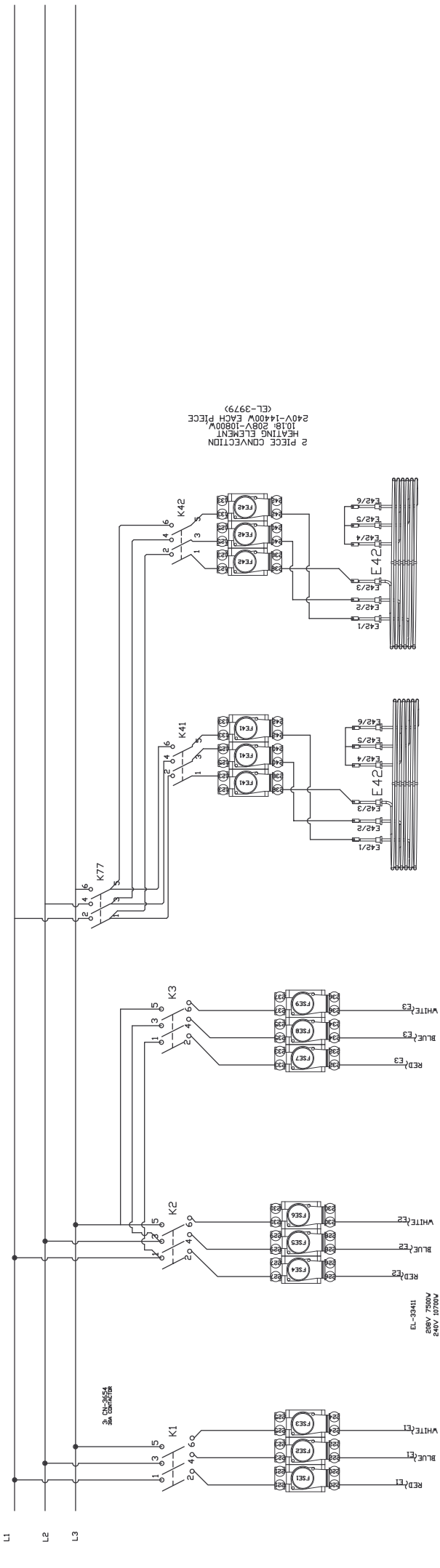
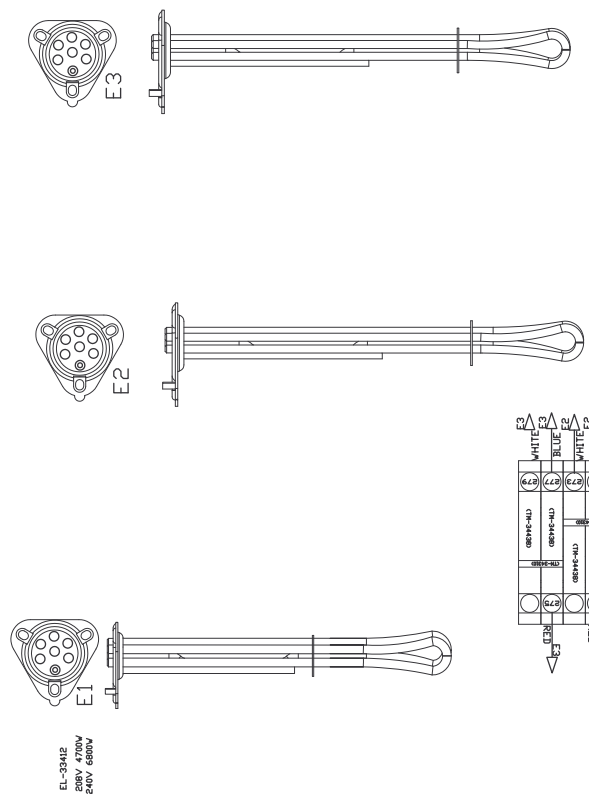




- X11/130: BANK DF 3 BLUE SPRING TERMINALS
- R/C FILTERS: Y1,Y2,&Y3= F1-33989
- R/C FILTERS: K51,K71= F1-34949
- R/C FILTERS: K1,K2,K3,K4,K42,&K77= F1-33990
- VM: VENT MOTOR
- VS: VENT SWITCH
- FUSE VFD: FUSE CONTROL VFD
- N7: SAFETY HIGH LIMIT
- K4: SAFETY CONTROL CONVECTION
- DPI: BOILER DRAIN PUMP
- K41 & K42: CONTROL CONVECTION
- FUSE SMK: FUSE CONTROL SMOKER
- VFD: VARIABLE FREQUENCY DRIVE
- DB3: DB4: DISPLAY BOARD + DC INPUT
- DB2: DB4: DISPLAY BOARD - DC INPUT
- E4: CONVECTION ELEMENT
- SMK: SMOKER ELEMENT
- SMK: SMOKER RELAY
- K51 & K52: MOTOR DRIVE CONTACTOR

NOTE: DIP SWITCH SETTING
 1 Boiler - Boilersless
 S01 OFF - ON

WHITE	RED	BLUE	WHITE
669	671	673	675
669	671	673	675
669	671	673	675
669	671	673	675
669	671	673	675
669	671	673	675
669	671	673	675



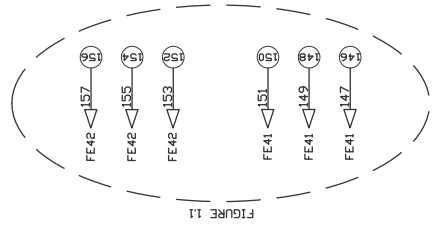
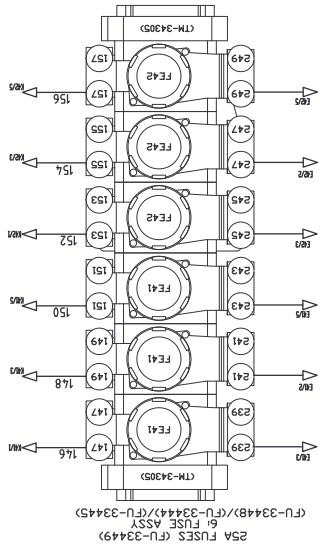


FIGURE 11

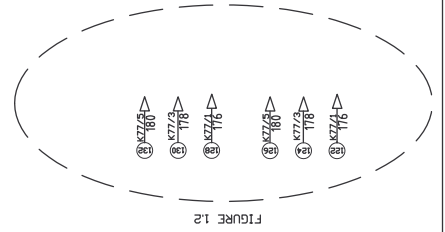
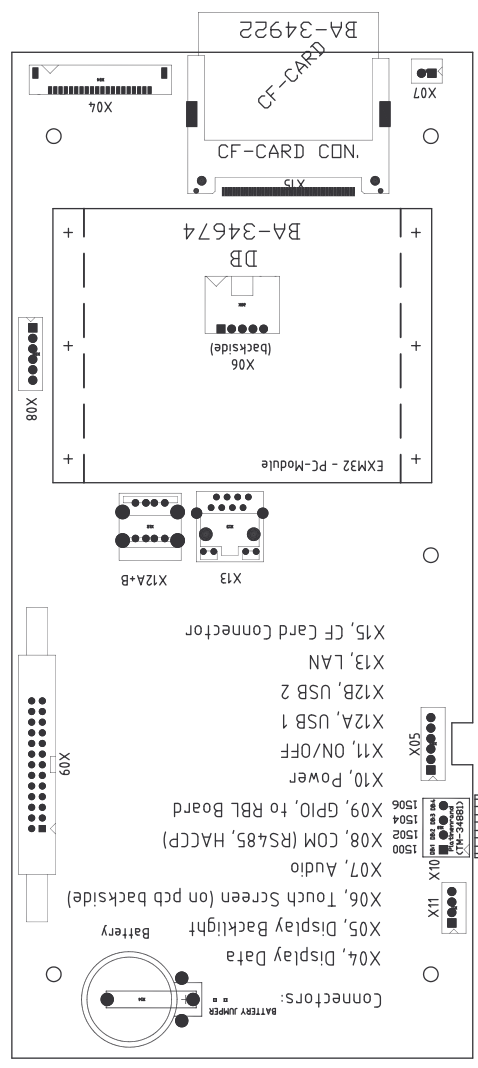
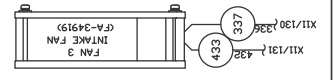
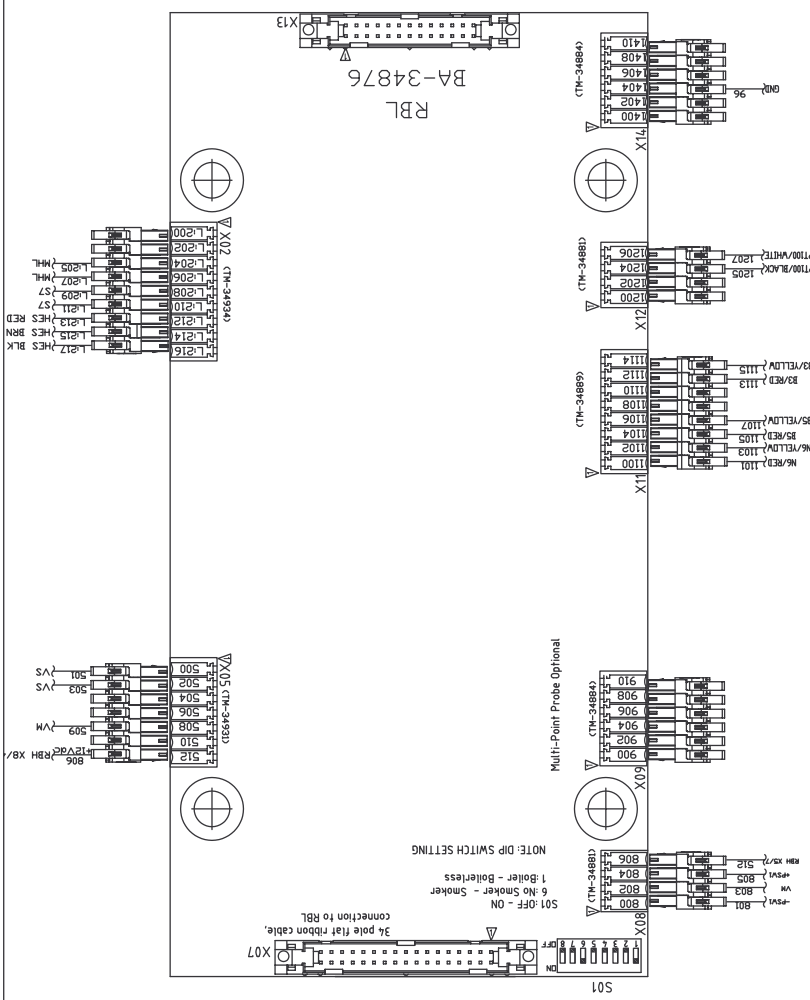


FIGURE 12

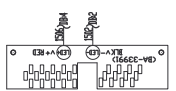
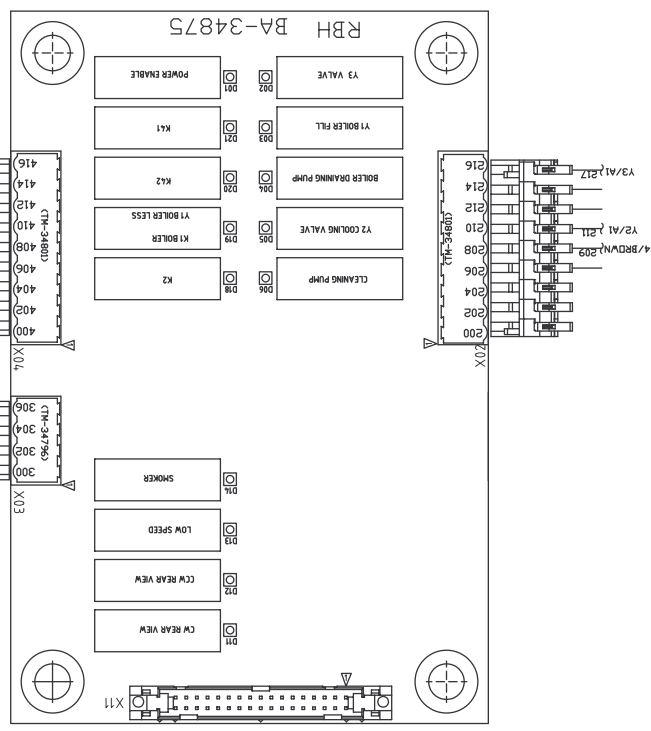
REV	ECO	DESCRIPTION	DATE
1		WORKING DRAWING	
ALTO-SHIMM			
BY:	NO.	INVT.	DATE
	77349		8/72



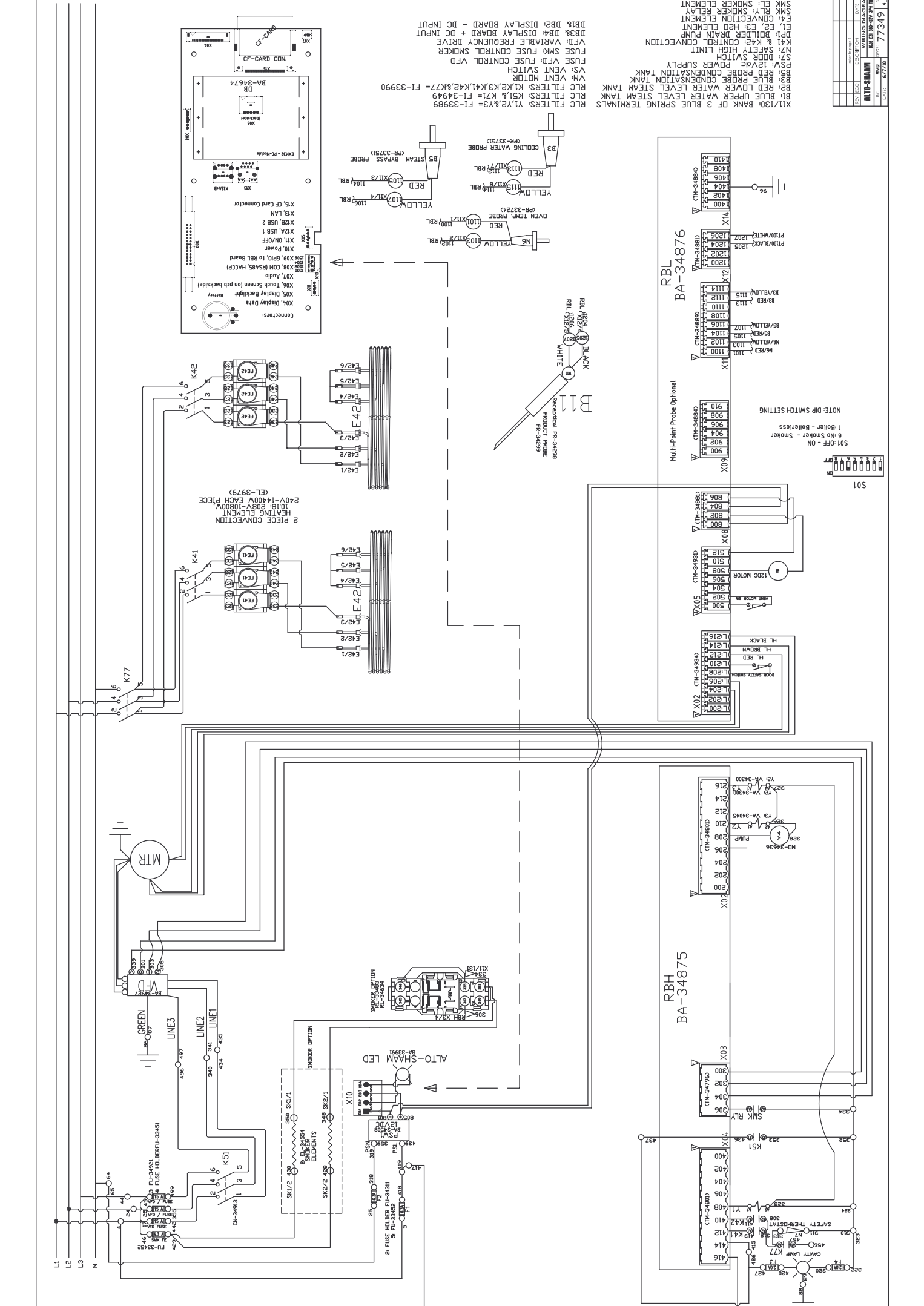
Connectors:
 X04, Display Data
 X05, Display Backlight
 X06, Touch Screen (on pcb backside)
 X07, Audio
 X08, COM (RS485, HACCp)
 X09, GPIO, to RBL Board
 X10, Power
 X11, ON/OFF
 X12A, USB 1
 X12B, USB 2
 X13, LAN
 X15, CF Card Connector



RBH&RBL: BA-34670



- X11/130, BANK OF 3 BLUE SPRING TERMINALS
- B1: BLUE UPPER WATER LEVEL STEAM TANK
- B2: RED LOWER WATER LEVEL STEAM TANK
- B3: BLUE PROBE CONDENSATION TANK
- B5: RED PROBE CONDENSATION TANK
- B6: RED PROBE CONDENSATION TANK
- N7: SAFETY LIMIT
- N7A: SAFETY HIGH CONNECTION
- DPI: BOILER DRAIN PUMP
- E1: E2, E3: H2O ELEMENT
- E4: CONNECTION ELEMENT
- SMK: SMOKER RELAY
- SMK E1: SMOKER RELAY
- K51 & K52: MOTOR DRIVE CONTACTOR

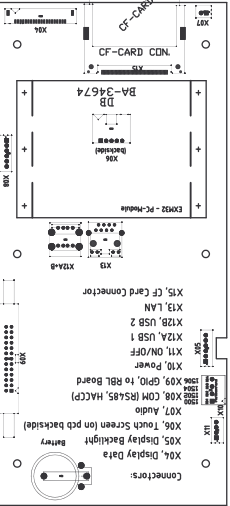
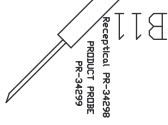


S01

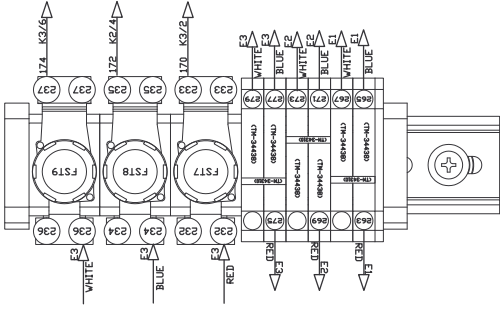
NOTE: DIP SWITCH SETTING
 1 Boiler - Boilerless
 6 No Smoker - Smoker
 S01 OFF - ON

RBL BA-34874

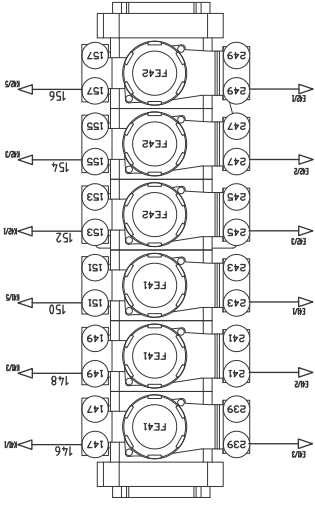
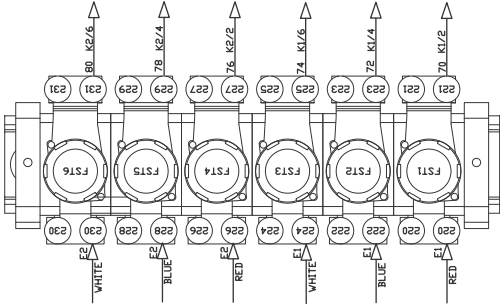
RBH BA-34875



FU-34881 15A FUSE HOLDER-FU-34881
 F1-34881 15A FUSE
 SW-34881 POWER SWITCH
 F2-34874 FUSE
 X20 TERMINAL BLOCK
 X15 CF Card Connector
 X13 LAN
 X12 USB 2
 X19 Power
 X10, Power
 X09 GP10 to RBL Board
 X08 COM (RS485, HAACP)
 X07 Audio
 X06 Touch screen (on PCB backside)
 X05 Display Backlight
 X04 Display Data
 Connectors:
 DB
 X03
 X18A
 X18B
 X18C
 X18D
 X18E
 X18F
 X18G
 X18H
 X18I
 X18J
 X18K
 X18L
 X18M
 X18N
 X18O
 X18P
 X18Q
 X18R
 X18S
 X18T
 X18U
 X18V
 X18W
 X18X
 X18Y
 X18Z
 BA-34874



20A FUSES (FU-33450)
9 FUSE ASSY
(FU-33447)/(FU-33444)/(FU-33445)



20A FUSES (FU-33449)
6 FUSE ASSY
(FU-33448)/(FU-33444)/(FU-33445)

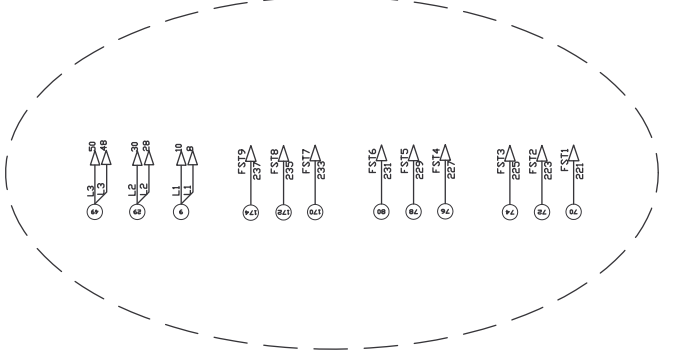


FIGURE 15

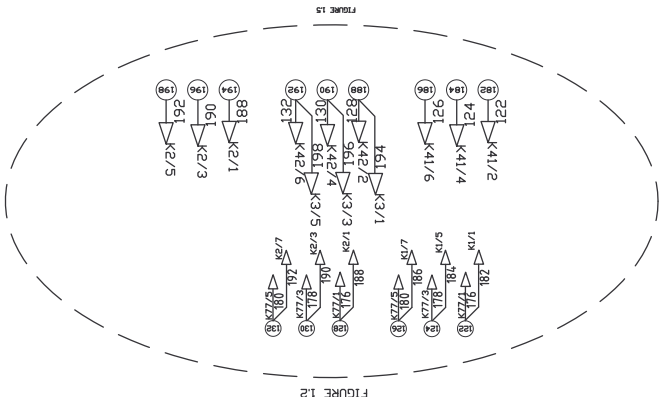


FIGURE 12

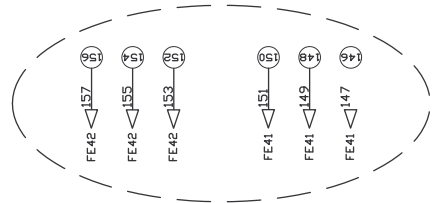
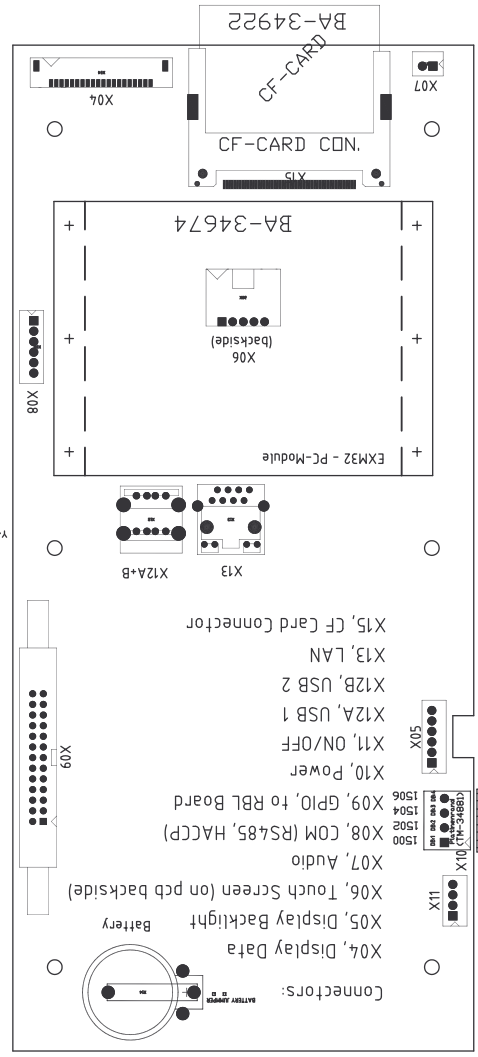
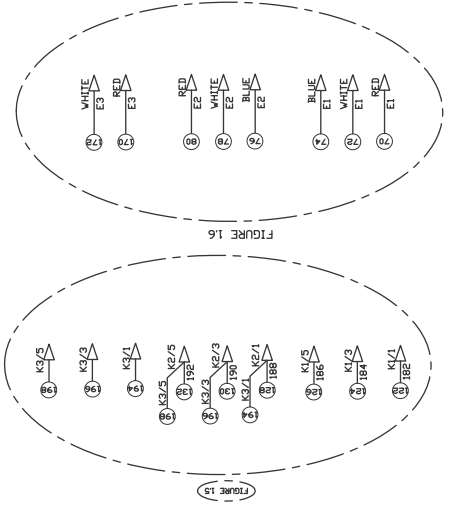
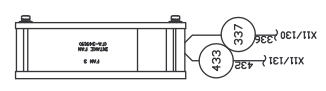


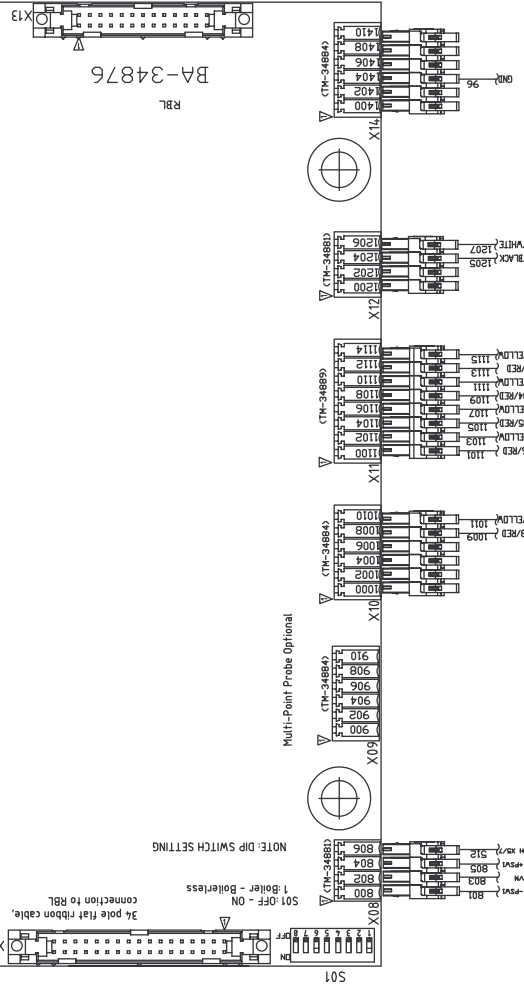
FIGURE 11

REV	NO	DESCRIPTION	DATE
1	1	WIRING DIAGRAM	7/13/13

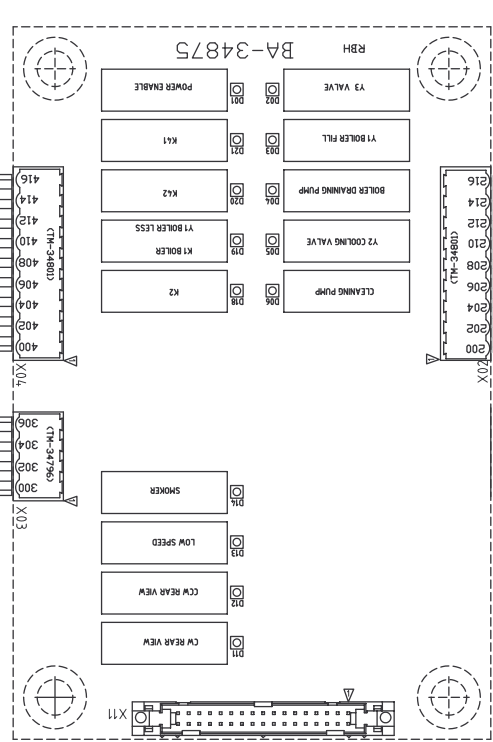
BY: **ALTO SHIMADA**
 2025 12 31 09:00 AM
 FILE NO: **77373**
 DATE: **2/27/2013**



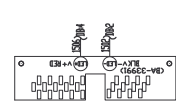
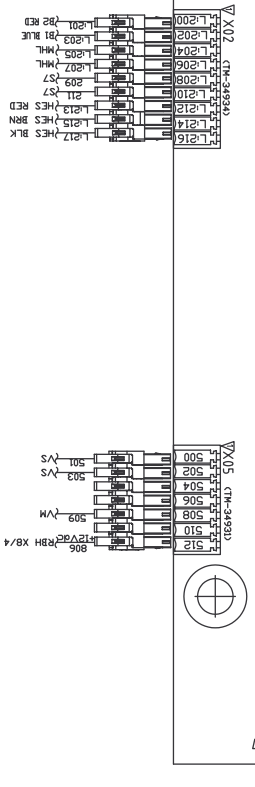
- Connectors:
- X04, Display Data
 - X05, Display Backlight
 - X06, Touch Screen (on pcb backside)
 - X07, Audio
 - X08, COM (RS485, HACCP)
 - X09, GPIO, to RBL Board
 - X10, Power
 - X11, ON/OFF
 - X12, USB 1
 - X12A, USB 2
 - X13, LAN
 - X15, CF Card Connector



RBL&RBH: BA-34770

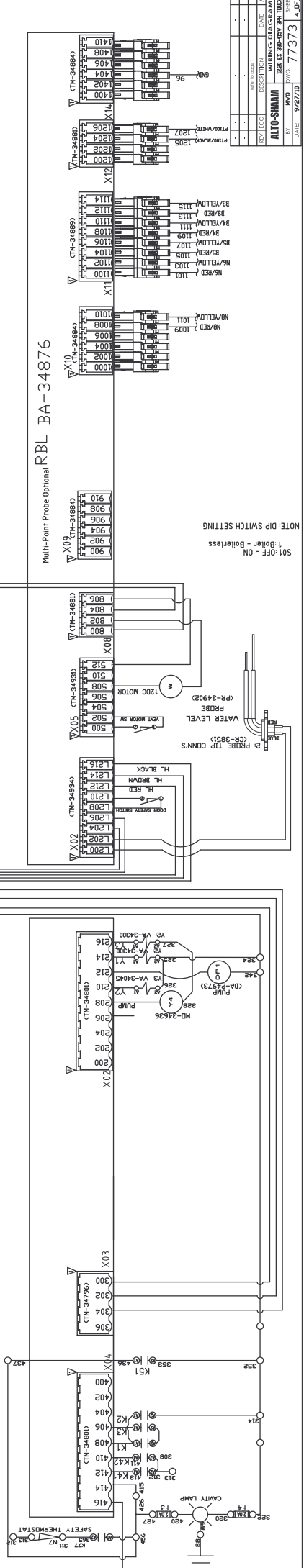


RBL: BA-34876



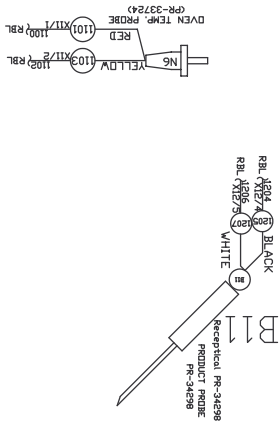
REV	ECO	DESCRIPTION	DATE
001			
002			
003			

ALTO-SHAMM
 DATE: 9/27/03
 P/N: 77373
 A:UP



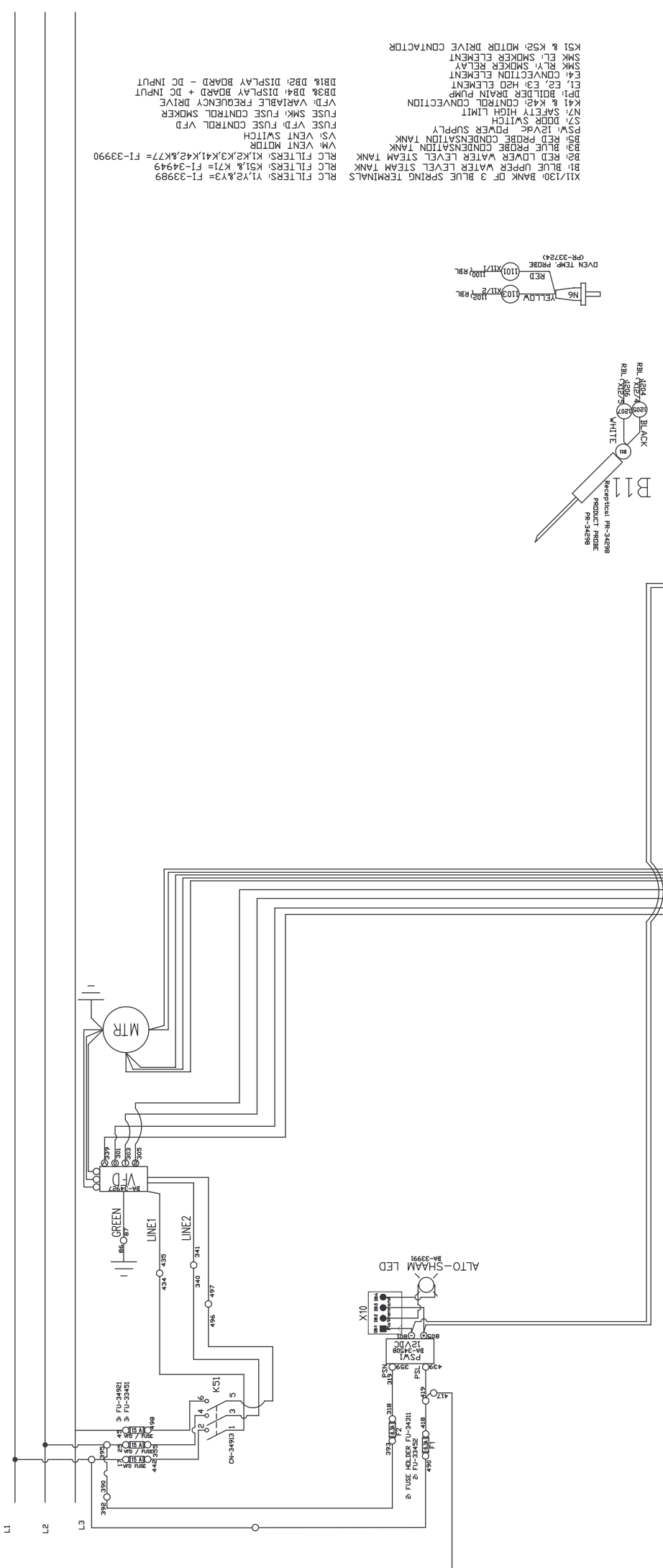
Multi-Point Probe Optional RBL BA-34876

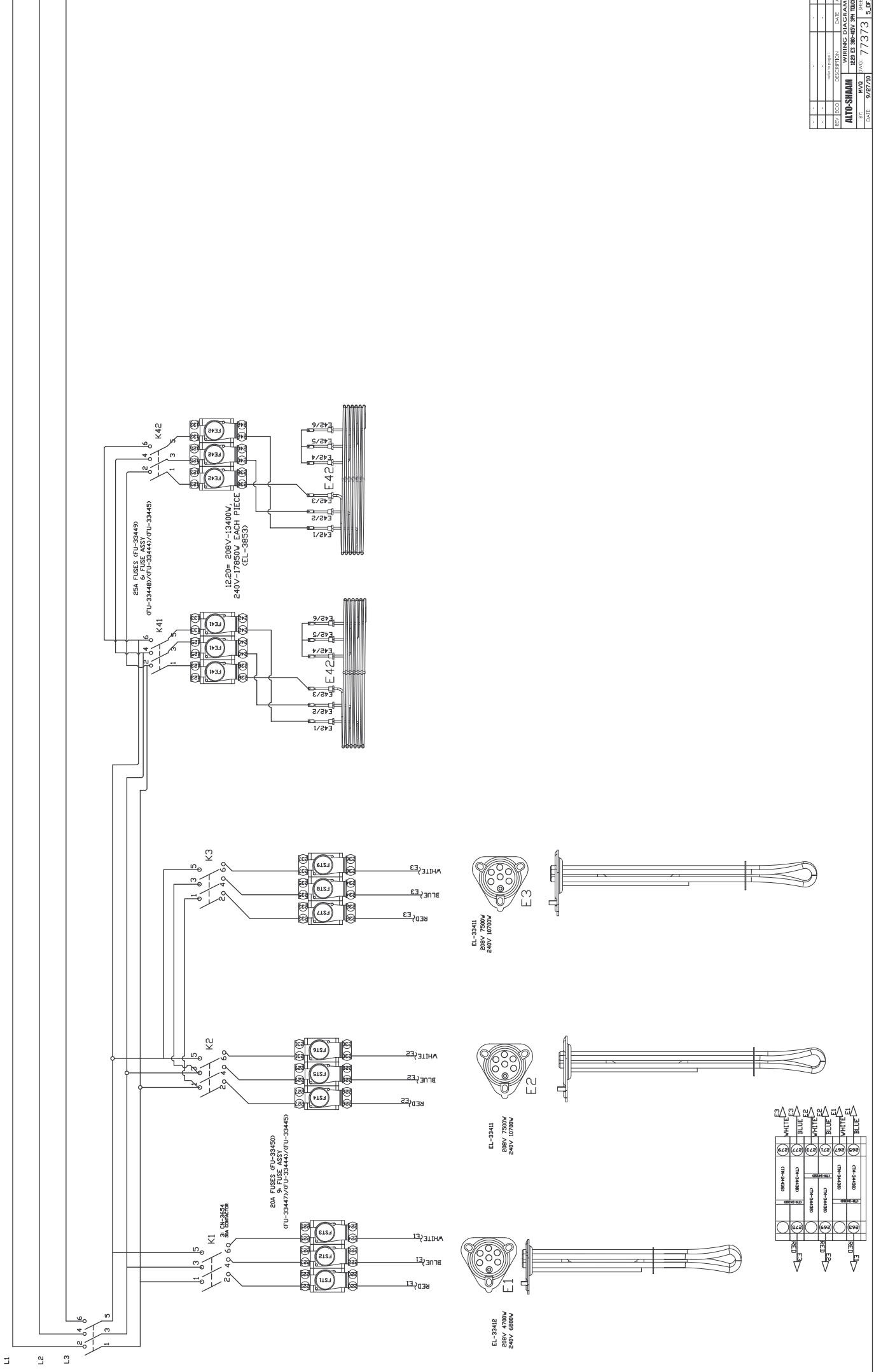
NOTE: DIP SWITCH SETTING
 1 Boiler - Boilerless
 501 OFF - ON



- X11/130: BANK DF 3 BLUE SPRING TERMINALS
- B1: RED UPPER WATER LEVEL STEAM TANK
- B2: RED LOWER WATER LEVEL STEAM TANK
- B3: BLUE PROBE CONDENSATION TANK
- B5: RED PROBE CONDENSATION TANK
- B5A: RED PROBE CONDENSATION TANK
- B5B: BLUE PROBE CONDENSATION TANK
- B5C: RED PROBE CONDENSATION TANK
- B5D: BLUE PROBE CONDENSATION TANK
- B5E: RED PROBE CONDENSATION TANK
- B5F: BLUE PROBE CONDENSATION TANK
- B5G: RED PROBE CONDENSATION TANK
- B5H: BLUE PROBE CONDENSATION TANK
- B5I: RED PROBE CONDENSATION TANK
- B5J: BLUE PROBE CONDENSATION TANK
- B5K: RED PROBE CONDENSATION TANK
- B5L: BLUE PROBE CONDENSATION TANK
- B5M: RED PROBE CONDENSATION TANK
- B5N: BLUE PROBE CONDENSATION TANK
- B5O: RED PROBE CONDENSATION TANK
- B5P: BLUE PROBE CONDENSATION TANK
- B5Q: RED PROBE CONDENSATION TANK
- B5R: BLUE PROBE CONDENSATION TANK
- B5S: RED PROBE CONDENSATION TANK
- B5T: BLUE PROBE CONDENSATION TANK
- B5U: RED PROBE CONDENSATION TANK
- B5V: BLUE PROBE CONDENSATION TANK
- B5W: RED PROBE CONDENSATION TANK
- B5X: BLUE PROBE CONDENSATION TANK
- B5Y: RED PROBE CONDENSATION TANK
- B5Z: BLUE PROBE CONDENSATION TANK

- K1 & K2: CONTROL CONNECTION
- E1, E2, E3: H2O ELEMENT
- E4: CONVECTION ELEMENT
- E5: SMOKER RELAY
- K3: SMOKER RELAY
- K4: SMOKER RELAY
- K5: SMOKER RELAY
- K6: SMOKER RELAY
- K7: SMOKER RELAY
- K8: SMOKER RELAY
- K9: SMOKER RELAY
- K10: SMOKER RELAY
- K11: SMOKER RELAY
- K12: SMOKER RELAY
- K13: SMOKER RELAY
- K14: SMOKER RELAY
- K15: SMOKER RELAY
- K16: SMOKER RELAY
- K17: SMOKER RELAY
- K18: SMOKER RELAY
- K19: SMOKER RELAY
- K20: SMOKER RELAY
- K21: SMOKER RELAY
- K22: SMOKER RELAY
- K23: SMOKER RELAY
- K24: SMOKER RELAY
- K25: SMOKER RELAY
- K26: SMOKER RELAY
- K27: SMOKER RELAY
- K28: SMOKER RELAY
- K29: SMOKER RELAY
- K30: SMOKER RELAY
- K31: SMOKER RELAY
- K32: SMOKER RELAY
- K33: SMOKER RELAY
- K34: SMOKER RELAY
- K35: SMOKER RELAY
- K36: SMOKER RELAY
- K37: SMOKER RELAY
- K38: SMOKER RELAY
- K39: SMOKER RELAY
- K40: SMOKER RELAY
- K41: SMOKER RELAY
- K42: SMOKER RELAY
- K43: SMOKER RELAY
- K44: SMOKER RELAY
- K45: SMOKER RELAY
- K46: SMOKER RELAY
- K47: SMOKER RELAY
- K48: SMOKER RELAY
- K49: SMOKER RELAY
- K50: SMOKER RELAY
- K51: SMOKER RELAY
- K52: SMOKER RELAY
- K53: SMOKER RELAY
- K54: SMOKER RELAY
- K55: SMOKER RELAY
- K56: SMOKER RELAY
- K57: SMOKER RELAY
- K58: SMOKER RELAY
- K59: SMOKER RELAY
- K60: SMOKER RELAY
- K61: SMOKER RELAY
- K62: SMOKER RELAY
- K63: SMOKER RELAY
- K64: SMOKER RELAY
- K65: SMOKER RELAY
- K66: SMOKER RELAY
- K67: SMOKER RELAY
- K68: SMOKER RELAY
- K69: SMOKER RELAY
- K70: SMOKER RELAY
- K71: SMOKER RELAY
- K72: SMOKER RELAY
- K73: SMOKER RELAY
- K74: SMOKER RELAY
- K75: SMOKER RELAY
- K76: SMOKER RELAY
- K77: SMOKER RELAY
- K78: SMOKER RELAY
- K79: SMOKER RELAY
- K80: SMOKER RELAY
- K81: SMOKER RELAY
- K82: SMOKER RELAY
- K83: SMOKER RELAY
- K84: SMOKER RELAY
- K85: SMOKER RELAY
- K86: SMOKER RELAY
- K87: SMOKER RELAY
- K88: SMOKER RELAY
- K89: SMOKER RELAY
- K90: SMOKER RELAY
- K91: SMOKER RELAY
- K92: SMOKER RELAY
- K93: SMOKER RELAY
- K94: SMOKER RELAY
- K95: SMOKER RELAY
- K96: SMOKER RELAY
- K97: SMOKER RELAY
- K98: SMOKER RELAY
- K99: SMOKER RELAY
- K100: SMOKER RELAY





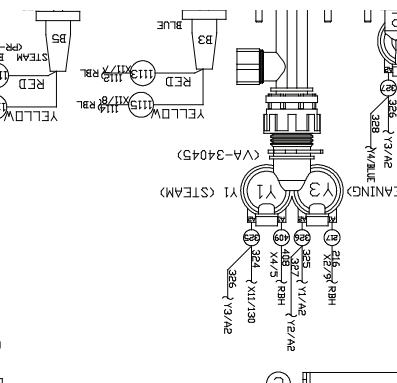
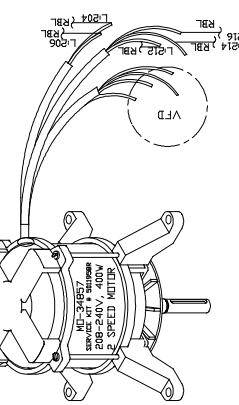
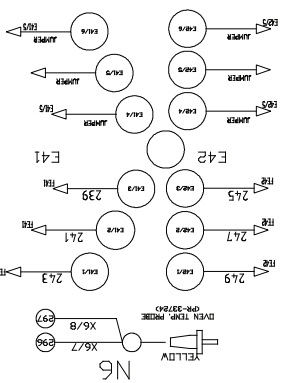
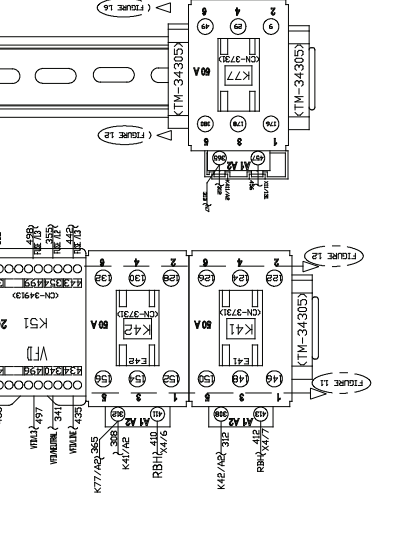
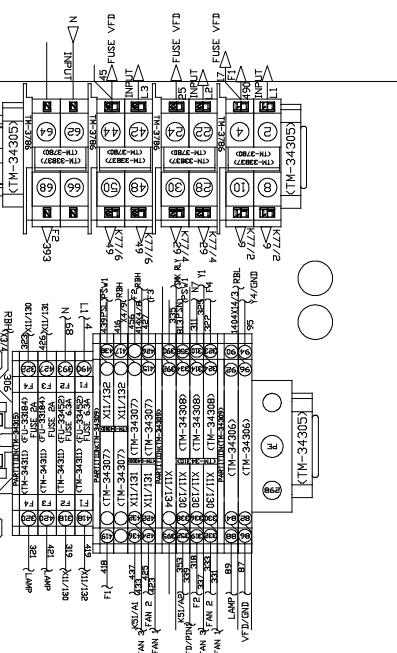
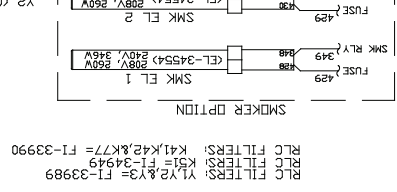
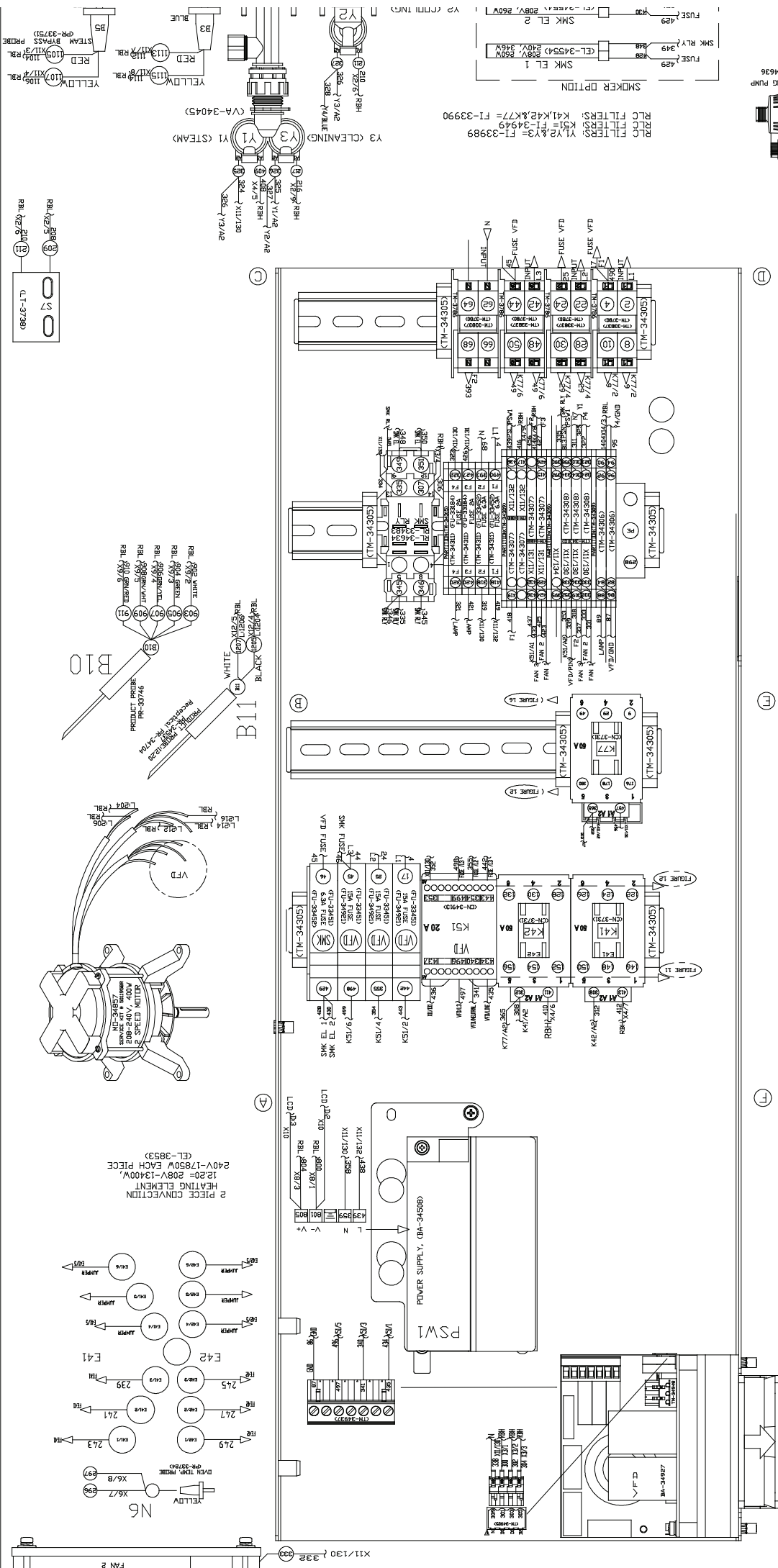
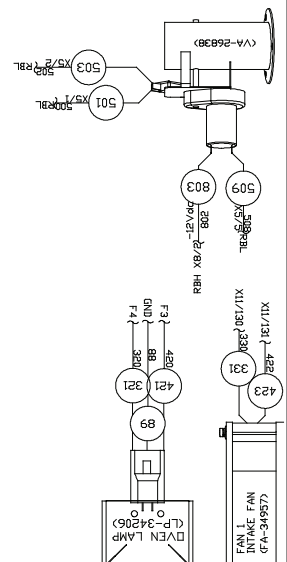
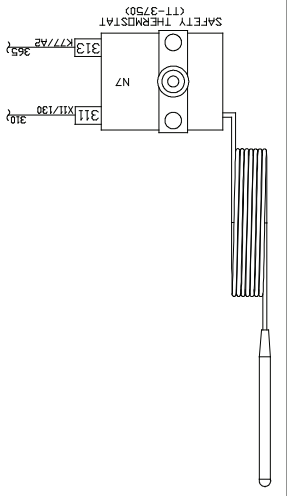
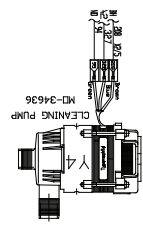
Terminal	Wire Color	Terminal	Wire Color
E1	RED	E42/1	RED
E1	BLUE	E42/2	BLUE
E1	WHITE	E42/3	WHITE
E2	RED	E42/4	RED
E2	BLUE	E42/5	BLUE
E2	WHITE	E42/6	WHITE
E3	RED		
E3	BLUE		
E3	WHITE		

REV	ECO	DESCRIPTION	DATE	BY	CHKD	DATE
1		WIRING DIAGRAM				
BY: ALTO-SHIMIZU						
DATE: 2022/08						
DRAWING NO: 77373						
PAGE: 1/5						

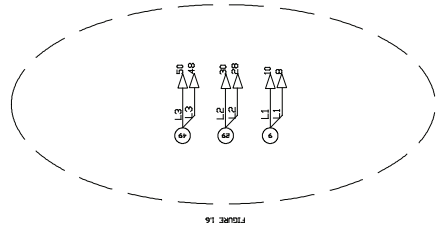
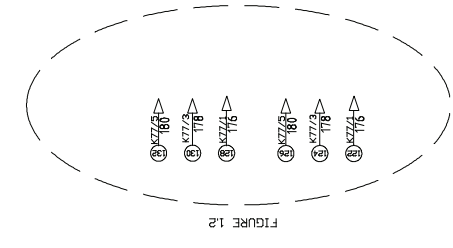
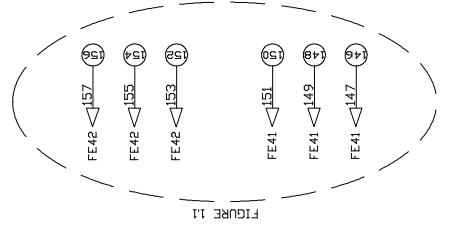
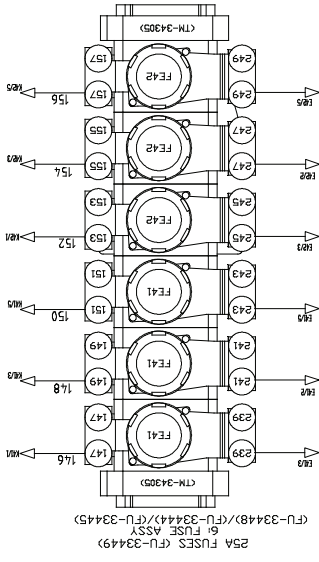
DATE	REV	BY	CHKD	DESCRIPTION
02/08/16	1	MS	MS	WIRING DIAGRAM
02/15/16	2	MS	MS	REVISIONS
02/23/16	3	MS	MS	REVISIONS

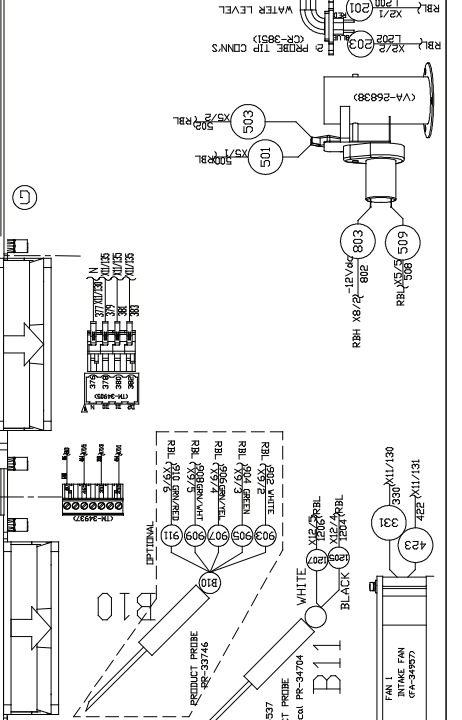
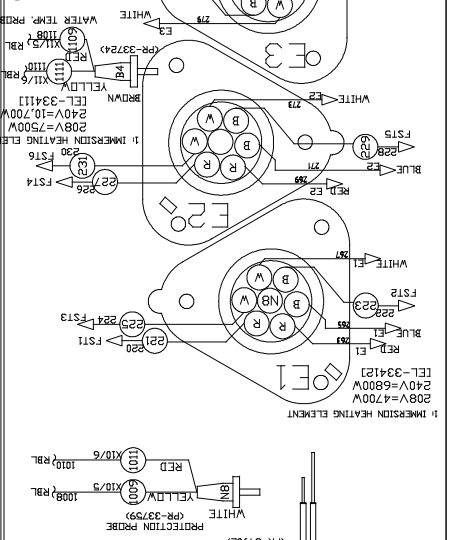
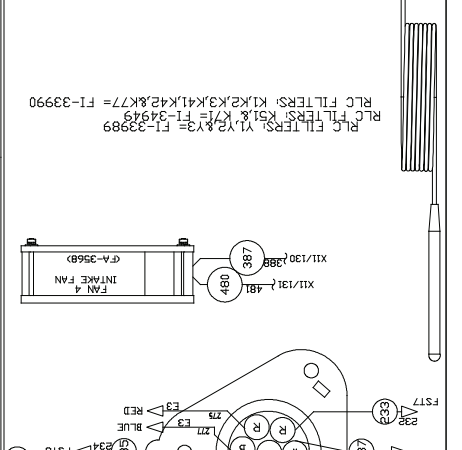
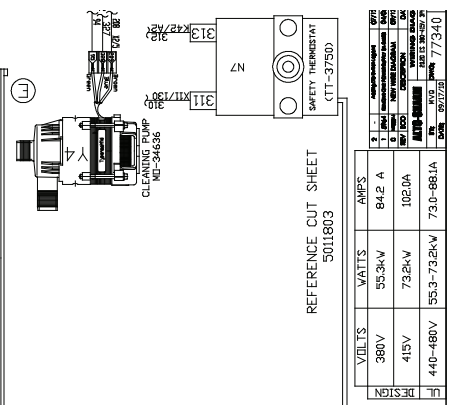
REFERENCE CUT SHEET
50118111

UL DESIGN	TYPE	VOLTS	WATTS	AMPS
980-415V	W	27.8k	42.3A	1.51A
421-311A	W	36.7k	51.1A	1.39A
421-311A	W	27.8-36.7kV	42.3-51.1A	1.51A



REV	NO	DATE	DESCRIPTION
1	1	28 FEB 2007	WIRING DIAG
2	1	14 MAR 2007	REVISED
3	1	14 MAR 2007	REVISED
4	1	14 MAR 2007	REVISED
5	1	14 MAR 2007	REVISED
6	1	14 MAR 2007	REVISED
7	1	14 MAR 2007	REVISED
8	1	14 MAR 2007	REVISED
9	1	14 MAR 2007	REVISED
10	1	14 MAR 2007	REVISED
11	1	14 MAR 2007	REVISED
12	1	14 MAR 2007	REVISED
13	1	14 MAR 2007	REVISED
14	1	14 MAR 2007	REVISED
15	1	14 MAR 2007	REVISED
16	1	14 MAR 2007	REVISED
17	1	14 MAR 2007	REVISED
18	1	14 MAR 2007	REVISED
19	1	14 MAR 2007	REVISED
20	1	14 MAR 2007	REVISED
21	1	14 MAR 2007	REVISED
22	1	14 MAR 2007	REVISED
23	1	14 MAR 2007	REVISED
24	1	14 MAR 2007	REVISED
25	1	14 MAR 2007	REVISED
26	1	14 MAR 2007	REVISED
27	1	14 MAR 2007	REVISED
28	1	14 MAR 2007	REVISED
29	1	14 MAR 2007	REVISED
30	1	14 MAR 2007	REVISED
31	1	14 MAR 2007	REVISED
32	1	14 MAR 2007	REVISED
33	1	14 MAR 2007	REVISED
34	1	14 MAR 2007	REVISED
35	1	14 MAR 2007	REVISED
36	1	14 MAR 2007	REVISED
37	1	14 MAR 2007	REVISED
38	1	14 MAR 2007	REVISED
39	1	14 MAR 2007	REVISED
40	1	14 MAR 2007	REVISED
41	1	14 MAR 2007	REVISED
42	1	14 MAR 2007	REVISED
43	1	14 MAR 2007	REVISED
44	1	14 MAR 2007	REVISED
45	1	14 MAR 2007	REVISED
46	1	14 MAR 2007	REVISED
47	1	14 MAR 2007	REVISED
48	1	14 MAR 2007	REVISED
49	1	14 MAR 2007	REVISED
50	1	14 MAR 2007	REVISED
51	1	14 MAR 2007	REVISED
52	1	14 MAR 2007	REVISED
53	1	14 MAR 2007	REVISED
54	1	14 MAR 2007	REVISED
55	1	14 MAR 2007	REVISED
56	1	14 MAR 2007	REVISED
57	1	14 MAR 2007	REVISED
58	1	14 MAR 2007	REVISED
59	1	14 MAR 2007	REVISED
60	1	14 MAR 2007	REVISED
61	1	14 MAR 2007	REVISED
62	1	14 MAR 2007	REVISED
63	1	14 MAR 2007	REVISED
64	1	14 MAR 2007	REVISED
65	1	14 MAR 2007	REVISED
66	1	14 MAR 2007	REVISED
67	1	14 MAR 2007	REVISED
68	1	14 MAR 2007	REVISED
69	1	14 MAR 2007	REVISED
70	1	14 MAR 2007	REVISED
71	1	14 MAR 2007	REVISED
72	1	14 MAR 2007	REVISED
73	1	14 MAR 2007	REVISED
74	1	14 MAR 2007	REVISED
75	1	14 MAR 2007	REVISED
76	1	14 MAR 2007	REVISED
77	1	14 MAR 2007	REVISED
78	1	14 MAR 2007	REVISED
79	1	14 MAR 2007	REVISED
80	1	14 MAR 2007	REVISED
81	1	14 MAR 2007	REVISED
82	1	14 MAR 2007	REVISED
83	1	14 MAR 2007	REVISED
84	1	14 MAR 2007	REVISED
85	1	14 MAR 2007	REVISED
86	1	14 MAR 2007	REVISED
87	1	14 MAR 2007	REVISED
88	1	14 MAR 2007	REVISED
89	1	14 MAR 2007	REVISED
90	1	14 MAR 2007	REVISED
91	1	14 MAR 2007	REVISED
92	1	14 MAR 2007	REVISED
93	1	14 MAR 2007	REVISED
94	1	14 MAR 2007	REVISED
95	1	14 MAR 2007	REVISED
96	1	14 MAR 2007	REVISED
97	1	14 MAR 2007	REVISED
98	1	14 MAR 2007	REVISED
99	1	14 MAR 2007	REVISED
100	1	14 MAR 2007	REVISED

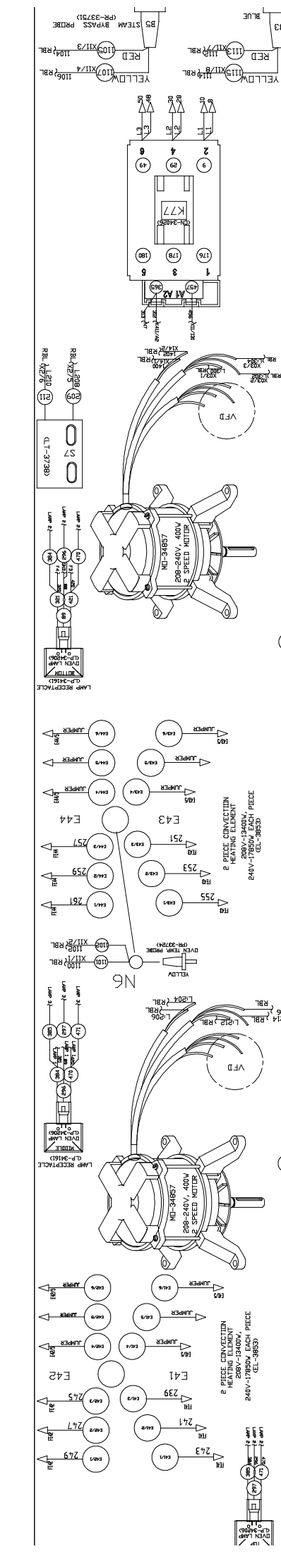
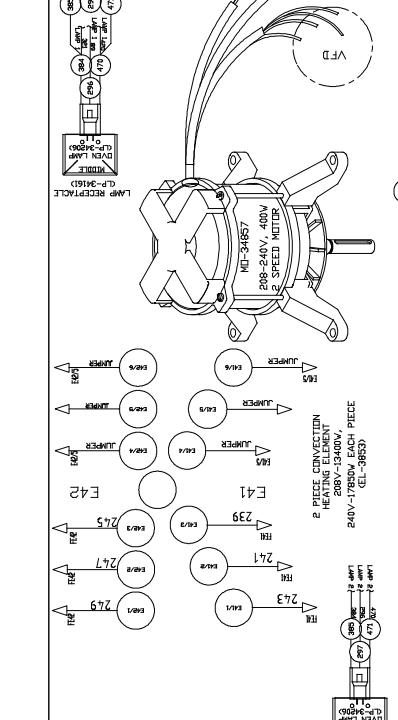
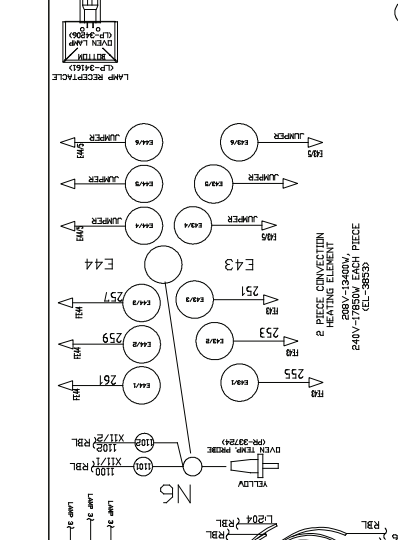
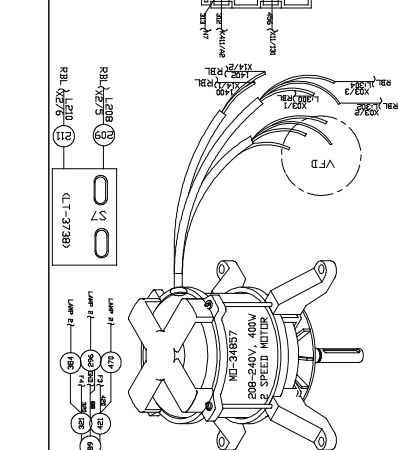
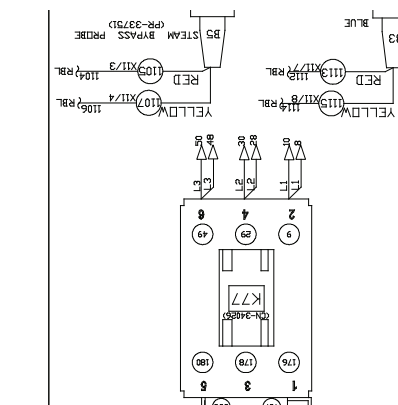
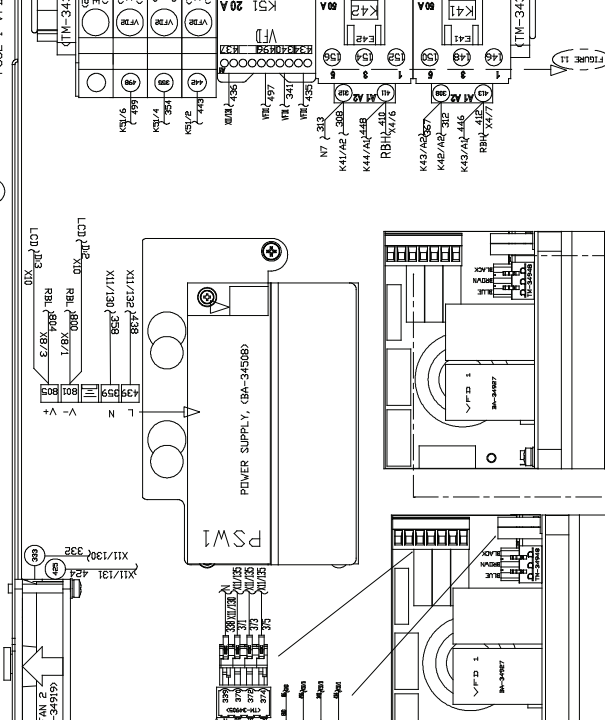
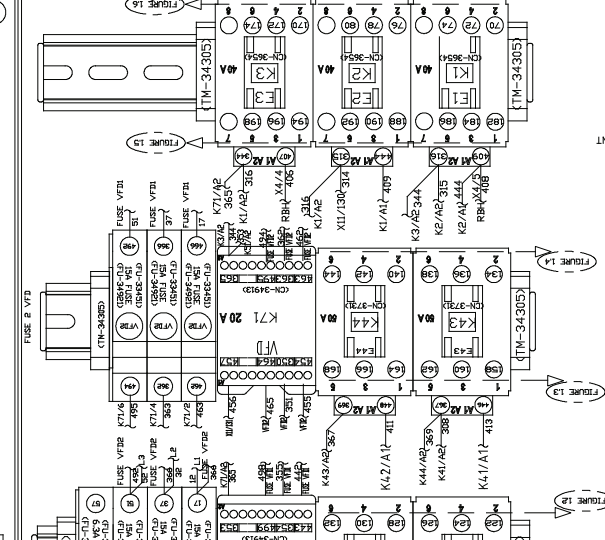
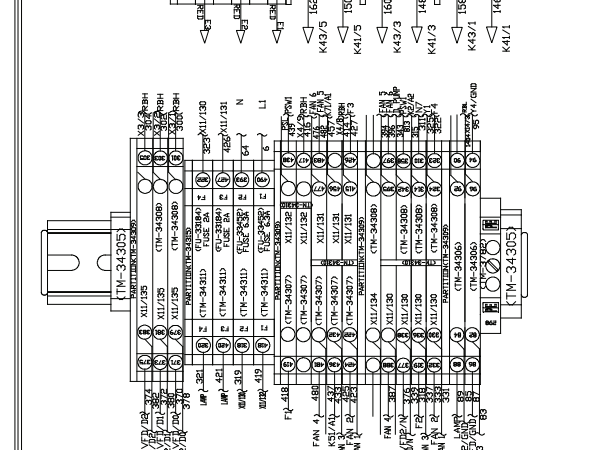
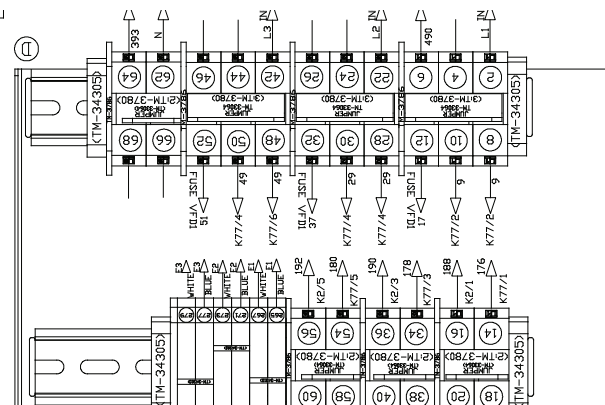


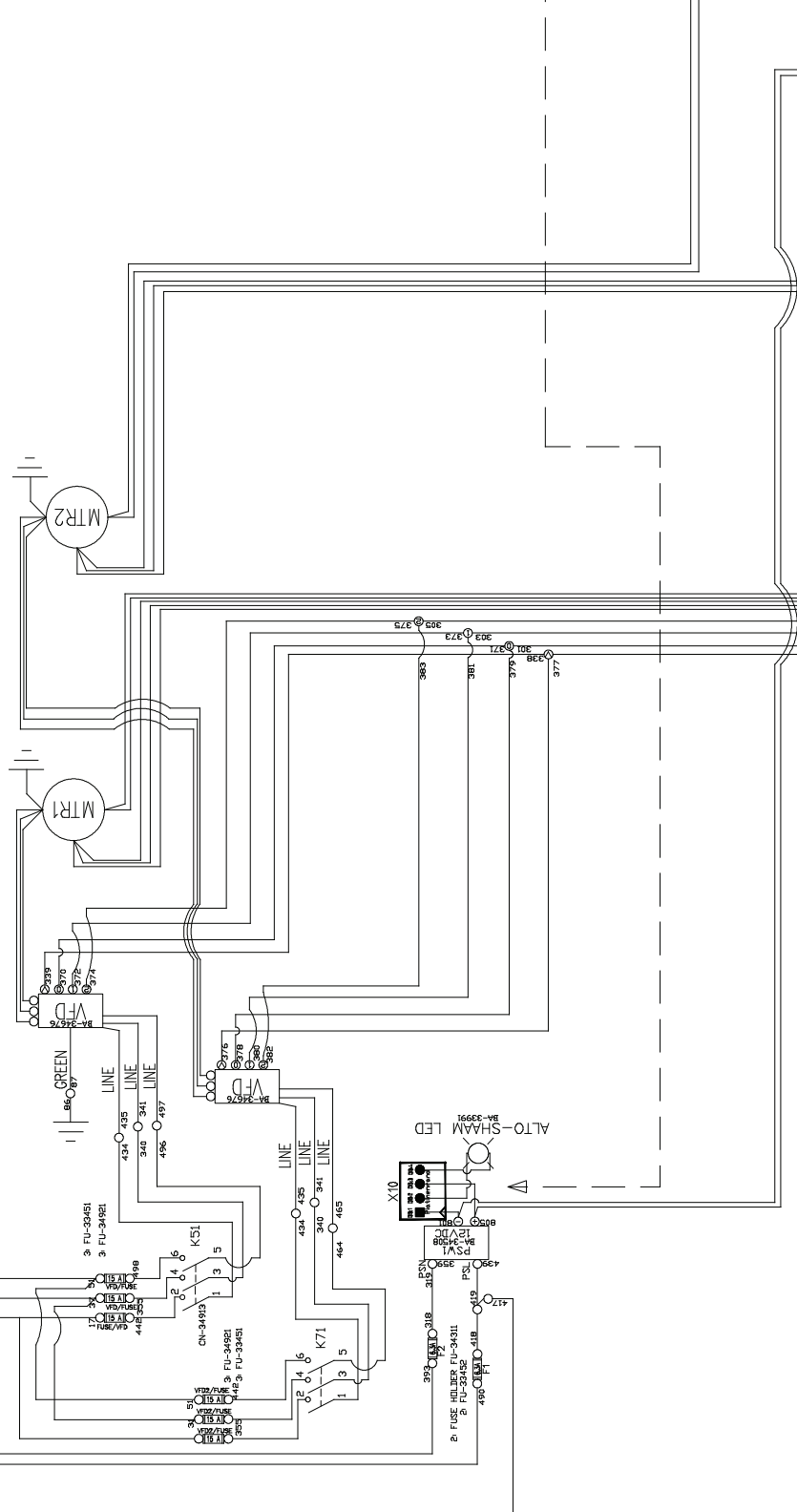
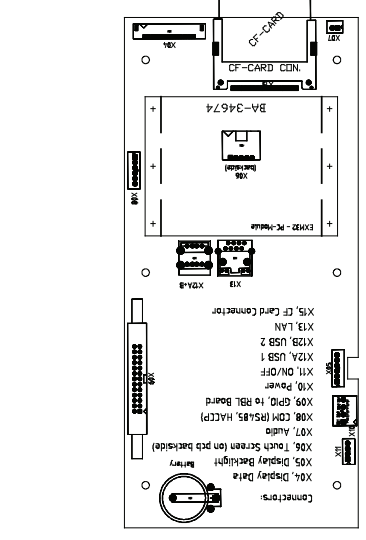
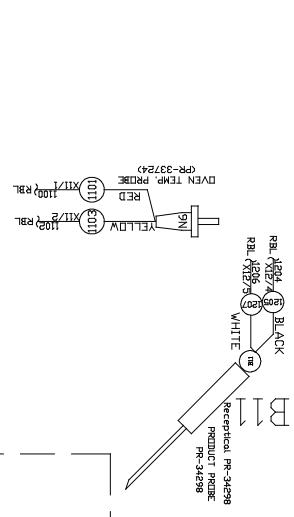
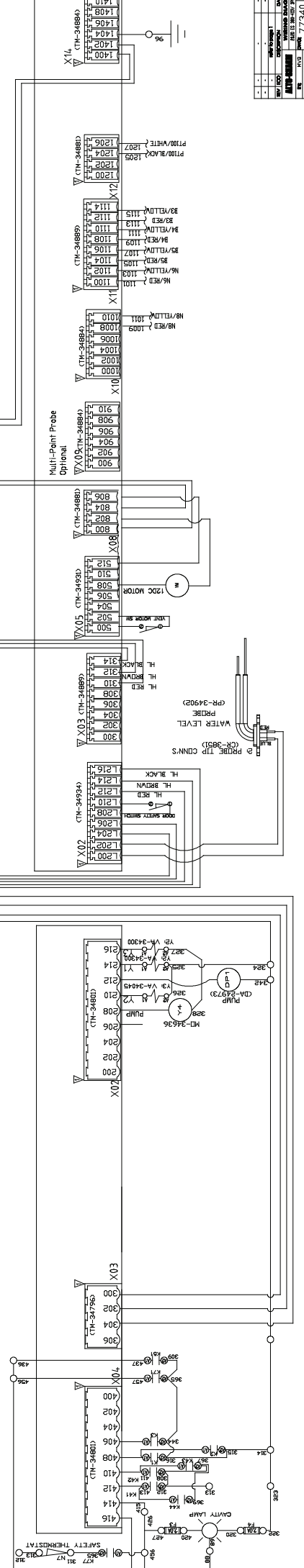


LT DESIGN	441-881A
WATTS	55.3k-W
VOLTS	380V
AMPS	84.2 A
WATTS	73.2k-W
VOLTS	415V
AMPS	102.0A
WATTS	55.3-73.2k-W
VOLTS	441-481V
AMPS	73.0-88.1A

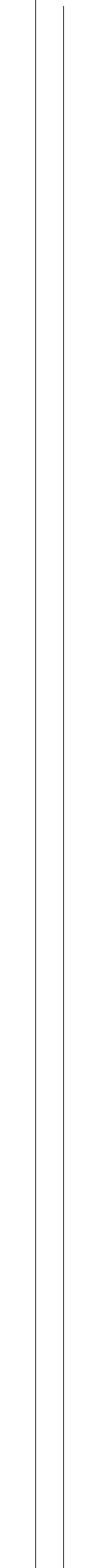
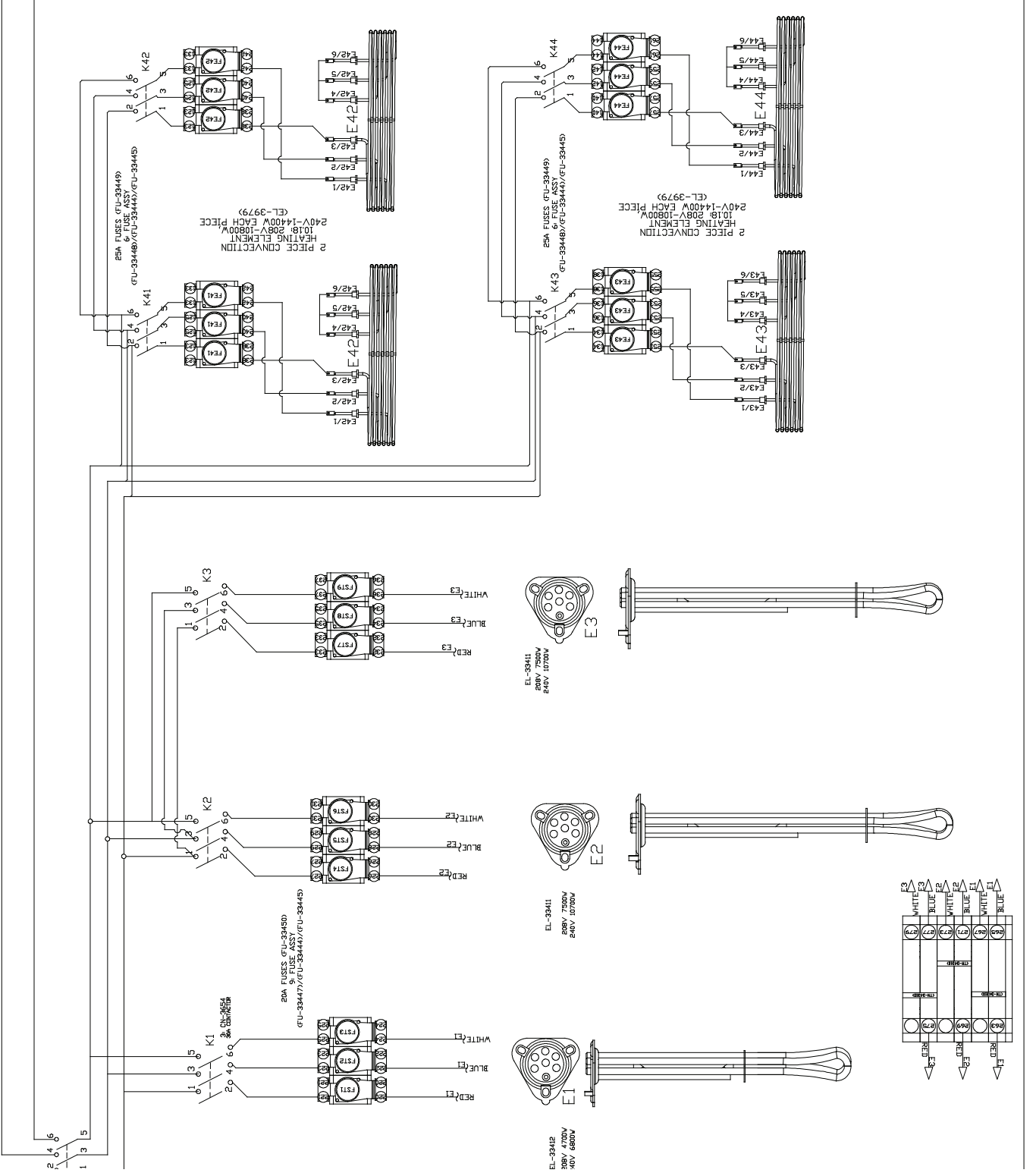
REFERENCE CUT SHEET 5011803

RLC FILTERS: K1,K2,K3,K4,K1,K2,K3,K4
 RLC FILTERS: Y1,Y2,Y3,F1-3399
 RLC FILTERS: K51& K17=F1-32489





- X11/130. BANK OF 3 BLUE SPRING TERMINALS
- B1 BLUE UPPER WATER LEVEL STEAM TANK
- B2 RED LOWER WATER LEVEL STEAM TANK
- B3 BLUE PROBE CONDENSATION TANK
- B5 RED PROBE CONDENSATION TANK
- PSM1 240VAC POWER SUPPLY
- VSI VENT SWITCH
- VM VENT MOTOR
- RLC FILTERS: K1K2,K3,K41,K42,&K7= FI-33990
- R3C FILTERS: K31& K71= FI-3499
- R11/130. BANK OF 3 BLUE SPRING TERMINALS
- R1 BLUE UPPER WATER LEVEL STEAM TANK
- R2 RED LOWER WATER LEVEL STEAM TANK
- R3 BLUE PROBE CONDENSATION TANK
- R5 RED PROBE CONDENSATION TANK
- PSM1 240VAC POWER SUPPLY
- VSI VENT SWITCH
- VM VENT MOTOR
- R3C FILTERS: K1K2,K3,K41,K42,&K7= FI-33990
- R3B FILTERS: K31& K71= FI-3499
- R11/130. BANK OF 3 BLUE SPRING TERMINALS
- R1 BLUE UPPER WATER LEVEL STEAM TANK
- R2 RED LOWER WATER LEVEL STEAM TANK
- R3 BLUE PROBE CONDENSATION TANK
- R5 RED PROBE CONDENSATION TANK
- PSM1 240VAC POWER SUPPLY
- VSI VENT SWITCH
- VM VENT MOTOR
- R3C FILTERS: K1K2,K3,K41,K42,&K7= FI-33990
- R3B FILTERS: K31& K71= FI-3499
- R11/130. BANK OF 3 BLUE SPRING TERMINALS
- R1 BLUE UPPER WATER LEVEL STEAM TANK
- R2 RED LOWER WATER LEVEL STEAM TANK
- R3 BLUE PROBE CONDENSATION TANK
- R5 RED PROBE CONDENSATION TANK
- PSM1 240VAC POWER SUPPLY
- VSI VENT SWITCH
- VM VENT MOTOR
- R3C FILTERS: K1K2,K3,K41,K42,&K7= FI-33990
- R3B FILTERS: K31& K71= FI-3499
- R11/130. BANK OF 3 BLUE SPRING TERMINALS
- R1 BLUE UPPER WATER LEVEL STEAM TANK
- R2 RED LOWER WATER LEVEL STEAM TANK
- R3 BLUE PROBE CONDENSATION TANK
- R5 RED PROBE CONDENSATION TANK
- PSM1 240VAC POWER SUPPLY
- VSI VENT SWITCH
- VM VENT MOTOR
- R3C FILTERS: K1K2,K3,K41,K42,&K7= FI-33990
- R3B FILTERS: K31& K71= FI-3499



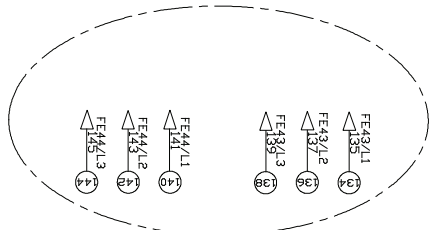
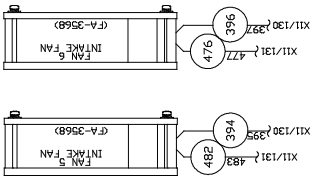
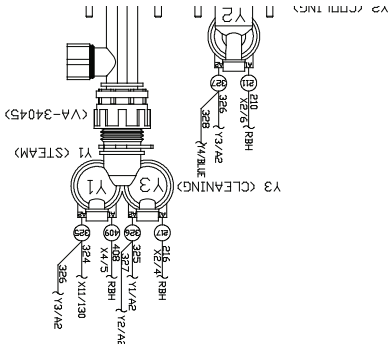
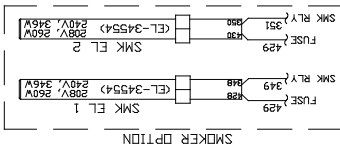


FIGURE 14

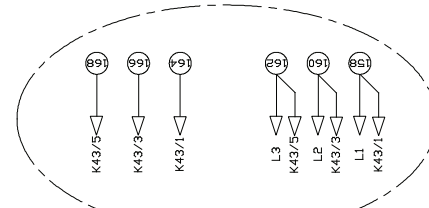


FIGURE 13

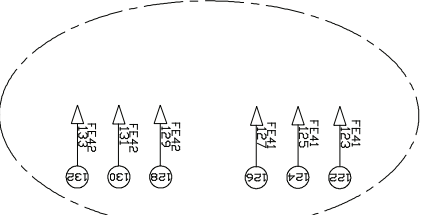
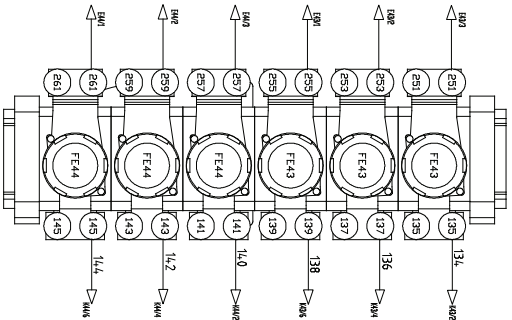
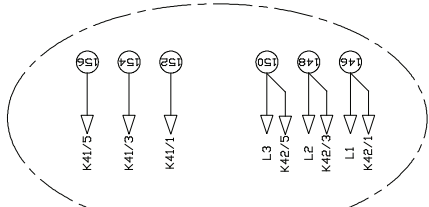
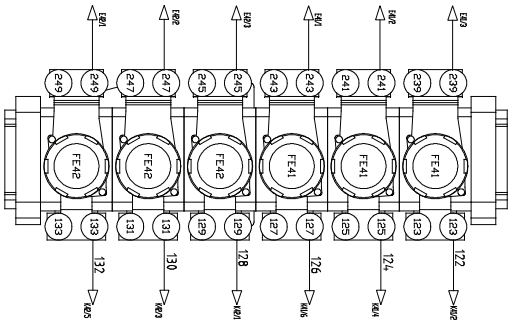


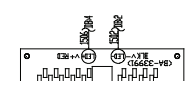
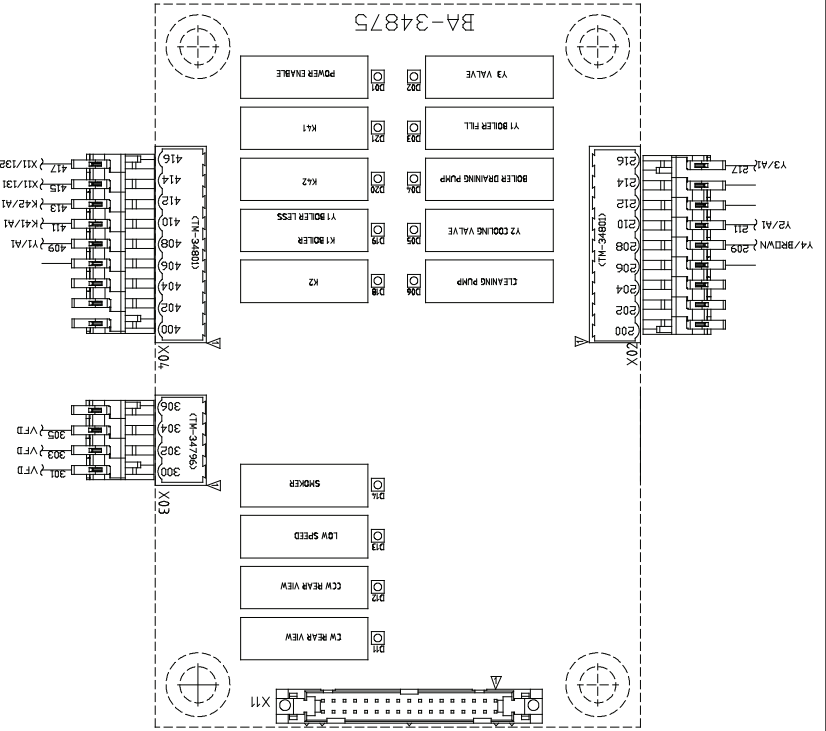
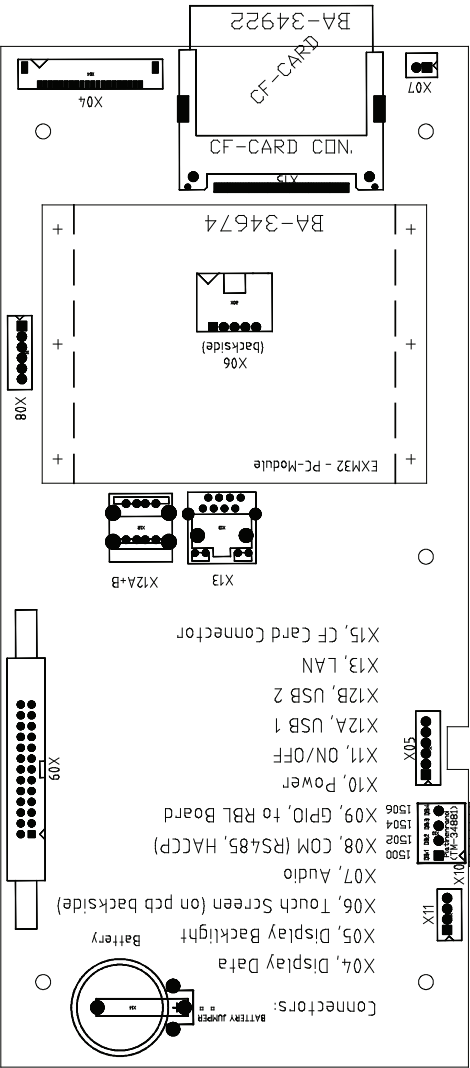
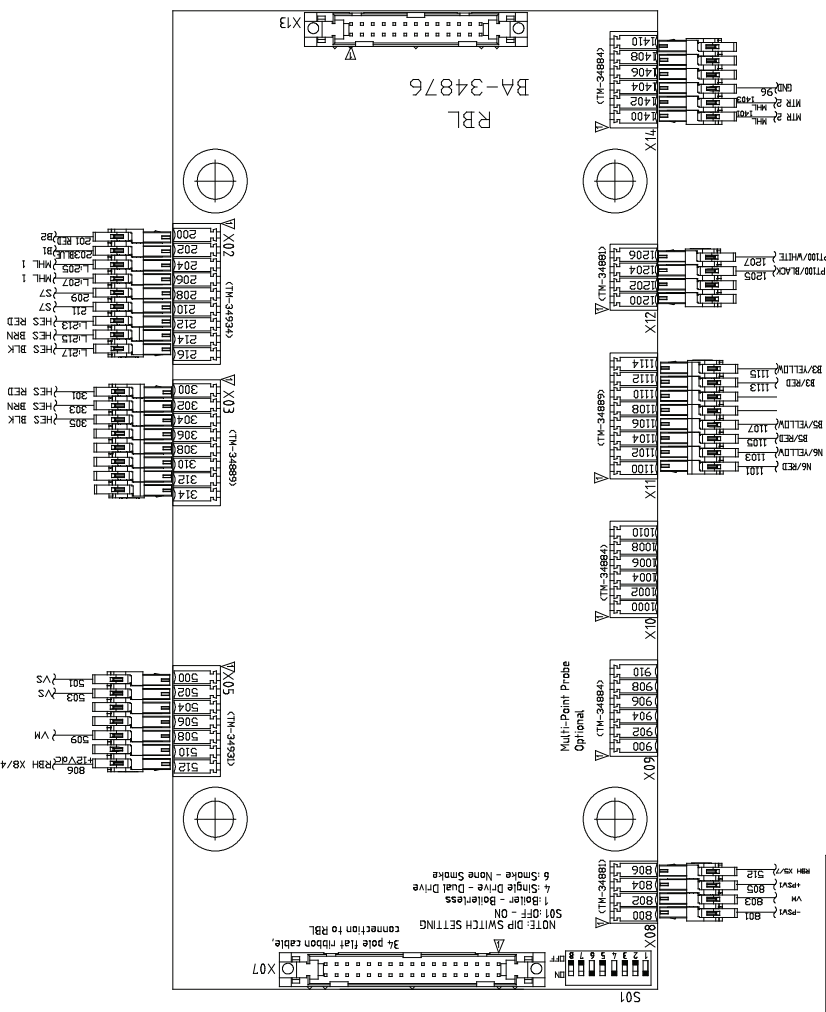
FIGURE 12

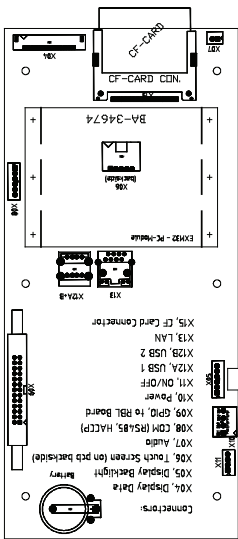
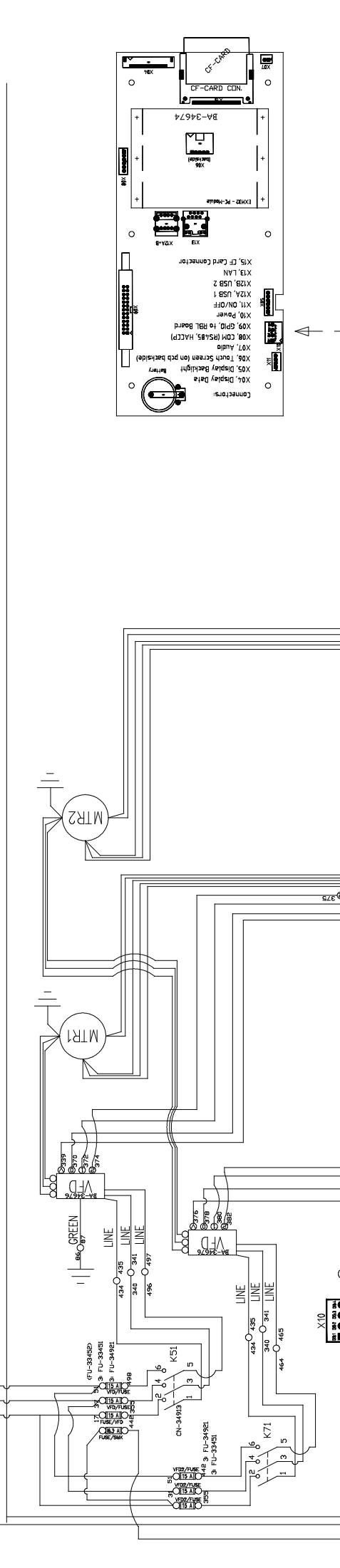
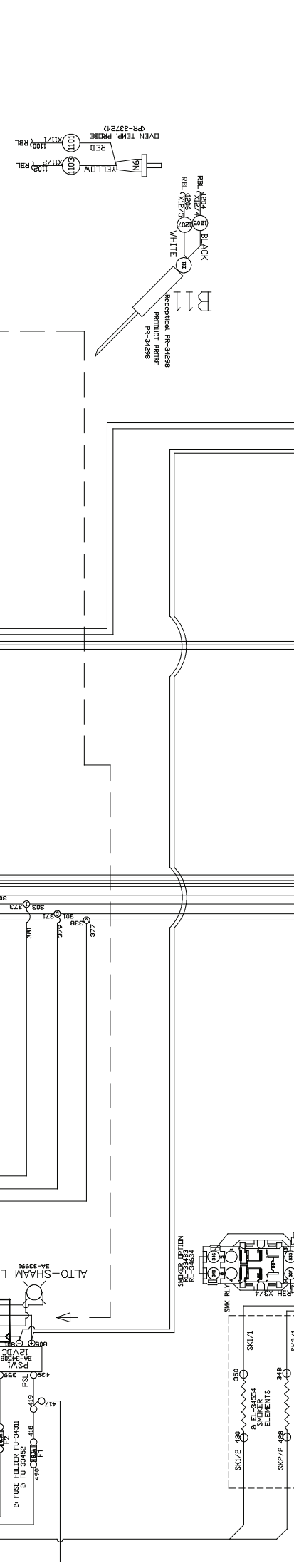
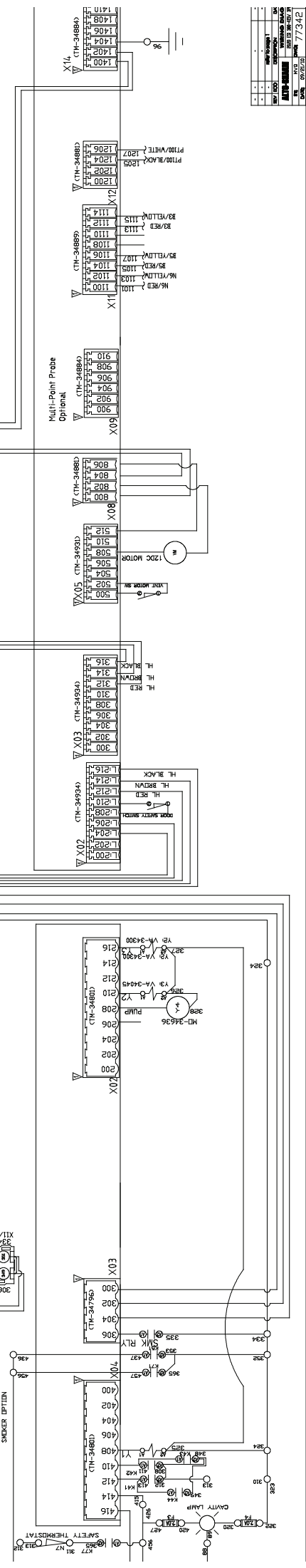


25A FUSES RU-33449
6 FUSE ASSY
(FU-33448)/(FU-33441)/(FU-33445)



25A FUSES (FU-33449)
6 FUSE ASSY
(FU-33448)/(FU-33441)/(FU-33445)





- X11/30 BANK OF 3 BLUE SPRING TERMINALS
- R1C FILTERS: Y1, Y2 & Y3 = F1-33989
- R1C FILTERS: K1, K2 & K3 = F1-34949
- R2C BLUE UPPER WATER LEVEL STEAM TANK
- R3C RED LOWER WATER LEVEL STEAM TANK
- R3C BLUE PROBE CONDENSATION TANK
- R5C RED PROBE CONDENSATION TANK
- R5W 12Vdc POWER SUPPLY
- S7 DOOR SWITCH
- N7 SAFETY HIGH LIMIT
- K41 & K42: CONTROL CONVECTION
- DPI: BOILER DRAIN PUMP
- E1, E2, E3: HEAT ELEMENT
- E4: CONVECTION ELEMENT
- SMK RLY: SMOKER RELAY
- SMK ELY: SMOKER ELEMENT
- K51 & K52: MOTOR DRIVE CONTACTOR

